

WORLEY'S

LIGHTING



Wrightsville Pendant

PL-WRIG-033

OVERVIEW

The Wrightsville Pendant combines a 16" glass diffuser with clean, modern details for an updated classic look.

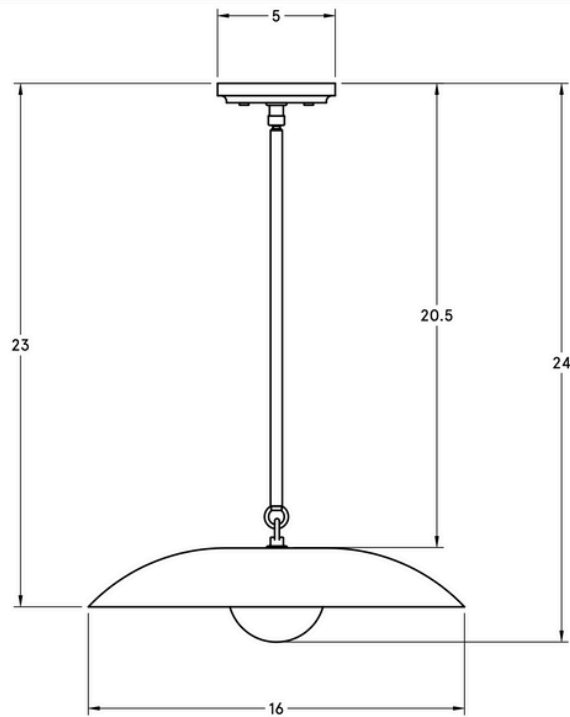
Certifications	UL and cUL damp locations
Lamping	(1) E26, 550 Lumens, Bulb included
Mounting	4", Universal
Lead Time	2-3 weeks
Dimensions	16" depth, 16" width, 23" height
As Shown	White Oak, Coated Bronze

WORLEYSLIGHTING.COM
TRADE@WORLEYSLIGHTING.COM



DIMENSIONS

Overall	16" depth, 16" width, 23" height
Canopy	5" diameter .75" depth
Shade	16" width, 4" globe
Materials	Wood, brass or powder coated steel and aluminum, glass
Origin	Made in USA of U.S. and imported parts



FINISHES

Our fixtures come in a variety of wood, metal, porcelain, linen and glass finishes. To discover what finishes are available for this fixture, click the link below or visit the product page on worleyslighting.com.

WRIGHTSVILLE PENDANT FINISH OPTIONS

Finish samples are available at worleyslighting.com/finishes. For pricing and purchasing, please visit worleyslighting.com or contact us with further questions.