

WORLEY'S

LIGHTING



Wood Hood Flush Mount

SM-WDHD-031

OVERVIEW

Each bold, wooden shade is cut from solid white oak by talented artisans. Every piece in the Wood Hood collection is full of the warmth, texture and originality that only wood can provide.

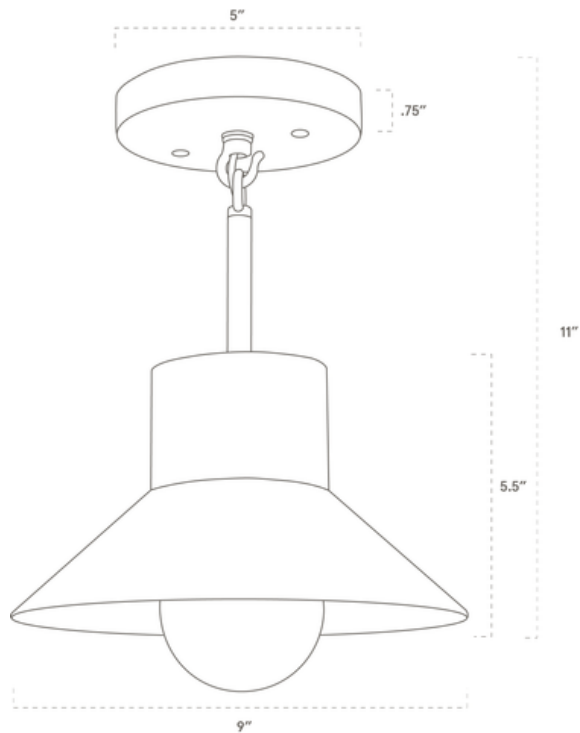
Certifications	UL and cUL damp locations
Lamping	(1) E26, 60W, Bulb not included
Mounting	4", Universal
Notes	Small imperfections may be present due to the turning process.
Lead Time	2-3 weeks
Dimensions	9" depth, 9" width, 11" height
As Shown	Charcoal Oak, Matte Black

WORLEYSLIGHTING.COM
TRADE@WORLEYSLIGHTING.COM



DIMENSIONS

Overall	9" depth, 9" width, 11" height
Canopy	5" diameter .75" depth
Shade	9" diameter, 5.5" height
Materials	Wood, brass or powder coated steel and aluminum
Origin	Made in USA of U.S. and imported parts



FINISHES

Our fixtures come in a variety of wood, metal, porcelain, linen and glass finishes. To discover what finishes are available for this fixture, click the link below or visit the product page on worleyslighting.com.

WOOD HOOD FLUSH MOUNT FINISH OPTIONS

Finish samples are available at worleyslighting.com/finishes. For pricing and purchasing, please visit worleyslighting.com or contact us with further questions.