

# WORLEY'S

LIGHTING



## Winston Chandelier

CH-WINS-032

### OVERVIEW

The Winston Chandelier features 4 petite glass globes and beautiful wooden details. Our custom made globes are matte finished, opal glass for soft, diffused light.

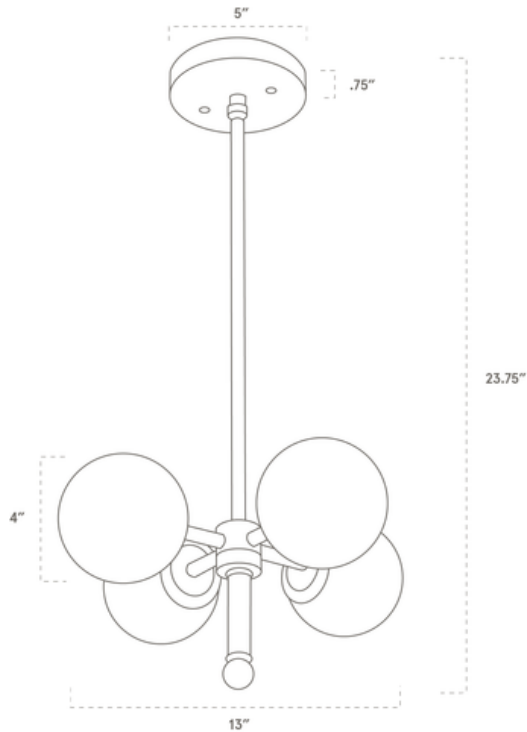
<b>Certifications</b>	UL and cUL damp locations
<b>Lamping</b>	(4) E26, 550 Lumens, <a href="#">Bulbs included</a>
<b>Mounting</b>	4", Universal
<b>Lead Time</b>	2-3 weeks
<b>Dimensions</b>	23.75" height, 13" width
<b>As Shown</b>	Cornsilk Oak, Matte Black

WORLEYSLIGHTING.COM  
TRADE@WORLEYSLIGHTING.COM



## DIMENSIONS

<b>Overall</b>	23.75" height, 13" width
<b>Canopy</b>	5" diameter .75" depth
<b>Shade</b>	4" diameter globes
<b>Materials</b>	Wood, brass or powder coated steel and aluminum, glass
<b>Origin</b>	Made in USA of U.S. and imported parts



## FINISHES

Our fixtures come in a variety of wood, metal, porcelain, linen and glass finishes. To discover what finishes are available for this fixture, click the link below or visit the product page on [worleyslighting.com](http://worleyslighting.com).

### WINSTON CHANDELIER FINISH OPTIONS

Finish samples are available at [worleyslighting.com/finishes](http://worleyslighting.com/finishes). For pricing and purchasing, please visit [worleyslighting.com](http://worleyslighting.com) or contact us with further questions.