

WORLEY'S

LIGHTING

Wentworth Double Sconce

WS-WWDB-085

OVERVIEW

Featuring 2 pleated linen shades, handcrafted wooden details and a classic silhouette, the Wentworth Double Sconce is made for spaces ranging from traditional to modern

Certifications	UL and cUL damp locations
Lamping	(2) E26, 60W, Bulb not included
Mounting	4", Universal
Lead Time	2-3 weeks
Dimensions	8" depth, 27" width, 11" height
As Shown	Cornsilk Oak, Classic Brass

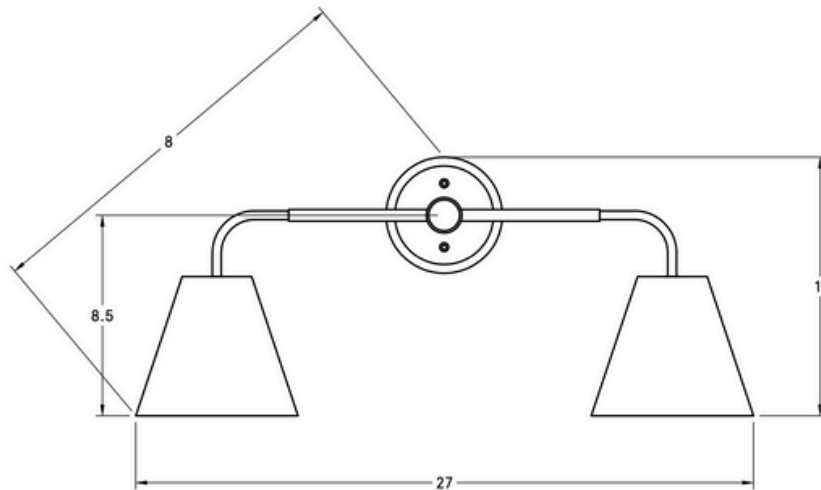


WORLEYSLIGHTING.COM
TRADE@WORLEYSLIGHTING.COM



DIMENSIONS

Overall	8" depth, 27" width, 11" height
Canopy	5" diameter .75" depth
Clearance	1"
Shade	3-7" diameter, 6.5" height
Materials	Wood, brass or powder coated steel and aluminum, linen
Origin	Made in USA of U.S. and imported parts



FINISHES

Our fixtures come in a variety of wood, metal, porcelain, linen and glass finishes. To discover what finishes are available for this fixture, click the link below or visit the product page on worleyslighting.com.

WENTWORTH DOUBLE SCONCE FINISH OPTIONS

Finish samples are available at worleyslighting.com/finishes. For pricing and purchasing, please visit worleyslighting.com or contact us with further questions.