

WORLEY'S

LIGHTING



Tupelo Double Sconce

WS-TUDS-083

OVERVIEW

infinitely versatile look and feel.

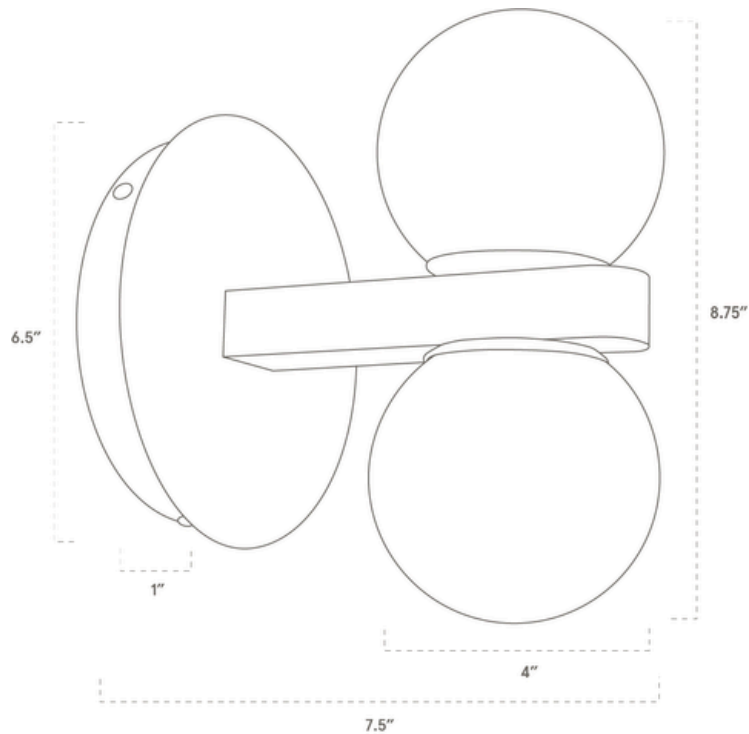
Certifications	UL and cUL damp locations
Lamping	(2) E26, 550 Lumens, <u>Bulb included</u>
Mounting	4", Universal
Lead Time	2-3 weeks
Dimensions	7.5" depth, 6.5" width, 8.75" height
As Shown	Charcoal Oak, Classic Brass

WORLEYSLIGHTING.COM
TRADE@WORLEYSLIGHTING.COM



DIMENSIONS

Overall	7.5" depth, 6.5" width, 8.75" height
Canopy	6.5" diameter 1" depth
Shade	4" diameter
Materials	Wood, brass or powder coated steel and aluminum, glass
Origin	Made in USA of U.S. and imported parts



FINISHES

Our fixtures come in a variety of wood, metal, porcelain, linen and glass finishes. To discover what finishes are available for this fixture, click the link below or visit the product page on worleyslighting.com.

TUPELO DOUBLE SCONCE FINISH OPTIONS

Finish samples are available at worleyslighting.com/finishes. For pricing and purchasing, please visit worleyslighting.com or contact us with further questions.