

WORLEY'S

LIGHTING



Tupelo Dome Flush Mount 10"

SM-TU10-028

OVERVIEW

A dome shade housing a glass orb and uniquely patterned wooden canopy combine to create a statement flush mount.

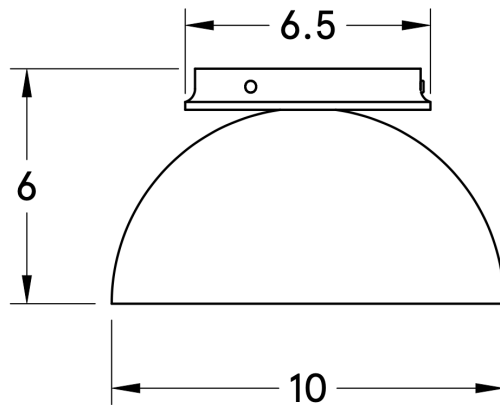
Certifications	UL and cUL damp locations
Lamping	(1) E26, 550 Lumens, <u>Bulb included</u>
Mounting	4", Universal
Lead Time	2-3 weeks
Dimensions	10" depth, 10" width, 6" height
As Shown	Cornsilk Oak, Satin White

WORLEYSLIGHTING.COM
TRADE@WORLEYSLIGHTING.COM



DIMENSIONS

Overall	10" depth, 10" width, 6" height
Canopy	6.5" diameter 1" depth
Shade	10" diameter
Materials	Wood, brass or powder coated steel and aluminum, glass
Origin	Made in USA of U.S. and imported parts



FINISHES

Our fixtures come in a variety of wood, metal, porcelain, linen and glass finishes. To discover what finishes are available for this fixture, click the link below or visit the product page on worleyslighting.com.

TUPELO DOME FLUSH MOUNT 10" FINISH OPTIONS

Finish samples are available at worleyslighting.com/finishes. For pricing and purchasing, please visit worleyslighting.com or contact us with further questions.