

WORLEY'S

LIGHTING



Tucker Semi-Flush Mount

SM-TUCK-027

OVERVIEW

An artisan-made porcelain shade, sleek metal down rod and wooden details combine to create this versatile, pendant light. The Tucker collection includes sconces, chandeliers and pendants featuring a beautiful mix of materials. Choose your wood, metal and porcelain finish to transform the overall look.

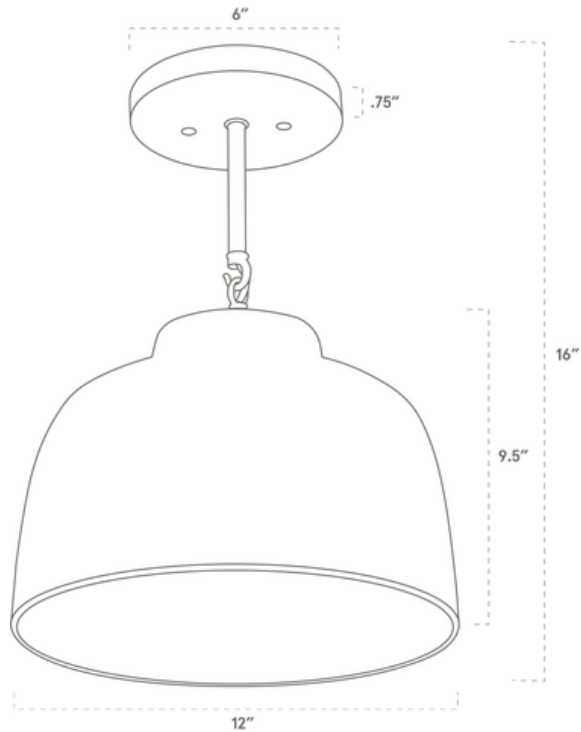
Certifications	UL and cUL damp locations
Lamping	(1) E26, 60W, Bulb not included
Mounting	4", Universal
Lead Time	4-8 weeks
Notes	Our White Porcelain can vary in opaqueness. When the light is turned on some shades will glow with a warm pink/orange light. Slight variations in roundness to be expected for each handmade shade.

WORLEYSLIGHTING.COM
TRADE@WORLEYSLIGHTING.COM



DIMENSIONS

Overall	12" depth, 12" width, 16" height
Canopy	6" diameter .75" depth
Shade	12" width, 9.5" height
Materials	Wood, brass or powder coated steel and aluminum, porcelain
Origin	Made in USA of U.S. and imported parts



Dimensions	12" depth, 12" width, 16" height
As Shown	Cotton White Oak, Classic Brass, Tan Porcelain

FINISHES

Our fixtures come in a variety of wood, metal, porcelain, linen and glass finishes. To discover what finishes are available for this fixture, click the link below or visit the product page on worleyslighting.com.

TUCKER SEMI-FLUSH MOUNT FINISH OPTIONS

Finish samples are available at worleyslighting.com/finishes. For pricing and purchasing, please visit worleyslighting.com or contact us with further questions.