

# WORLEY'S

LIGHTING



## Tucker Sconce

WS-TUCK-081

### OVERVIEW

An artisan-made porcelain shade, angular metal arm and wooden details combine to create this versatile, wall sconce. The Tucker collection includes sconces, chandeliers and pendants featuring a beautiful mix of materials. Choose your wood, metal and porcelain finish to transform the overall look.

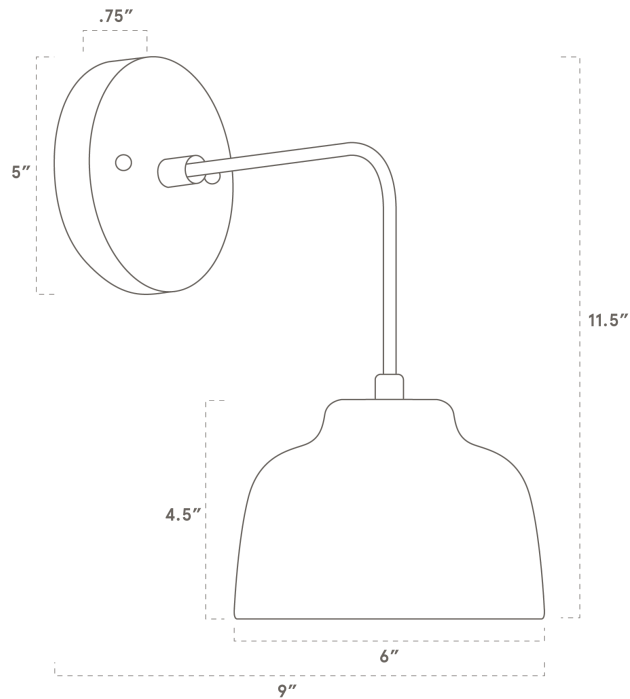
<b>Certifications</b>	UL and cUL damp locations
<b>Lamping</b>	(1) E26, 60W, Bulb not included
<b>Mounting</b>	4", Universal
<b>Lead Time</b>	2-3 weeks
<b>Dimensions</b>	9" depth, 6" width, 11.5" height
<b>Notes</b>	Our White Porcelain can vary in opacity. When the light is turned on some shades will glow with a warm pink/orange light.
<b>As Shown</b>	Cornsilk Oak, Matte Black and Charcoal Porcelain

WORLEYSLIGHTING.COM  
TRADE@WORLEYSLIGHTING.COM



## DIMENSIONS

<b>Overall</b>	9" depth, 6" width, 11.5" height
<b>Canopy</b>	5" diameter .75" depth
<b>Shade</b>	6" width, 4.5" height
<b>Materials</b>	Wood, brass or powder coated steel and aluminum, porcelain
<b>Origin</b>	Made in USA of U.S. and imported parts



## FINISHES

Our fixtures come in a variety of wood, metal, porcelain, linen and glass finishes. To discover what finishes are available for this fixture, click the link below or visit the product page on [worleyslighting.com](http://worleyslighting.com).

### TUCKER SCONCE FINISH OPTIONS

Finish samples are available at [worleyslighting.com/finishes](http://worleyslighting.com/finishes). For pricing and purchasing, please visit [worleyslighting.com](http://worleyslighting.com) or contact us with further questions.