

WORLEY'S

LIGHTING



Tucker Linear Sconce

WS-TULS-080

OVERVIEW

Artisan-made porcelain shades, linear arms and wooden details combine to create this versatile, double wall sconce. The Tucker collection includes sconces, chandeliers and pendants featuring a beautiful mix of materials. Choose your wood, metal and porcelain finish to transform the overall look.

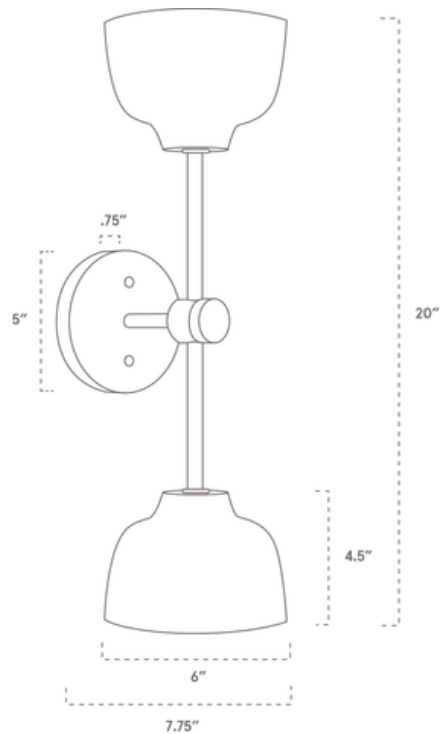
Certifications	UL and cUL damp locations
Lamping	(2) E26, 60W, Bulb not included
Mounting	4", Universal
Lead Time	2-3 weeks
Dimensions	7.75" depth, 6" width, 20" height
As Shown	Cornsilk Oak, Classic Brass, White Porcelain

WORLEYSLIGHTING.COM
TRADE@WORLEYSLIGHTING.COM



DIMENSIONS

Overall	7.75" depth, 6" width, 20" height
Canopy	5" diameter .75" depth
Shade	6" width, 4.5" height
Clearance	1.75"
Materials	Wood, brass or powder coated steel and aluminum, porcelain
Origin	Made in USA of U.S. and imported parts



FINISHES

Our fixtures come in a variety of wood, metal, porcelain, linen and glass finishes. To discover what finishes are available for this fixture, click the link below or visit the product page on worleyslighting.com.

TUCKER LINEAR SCONCE FINISH OPTIONS

Finish samples are available at worleyslighting.com/finishes. For pricing and purchasing, please visit worleyslighting.com or contact us with further questions.