

# WORLEY'S

LIGHTING



## Sullivan Triple Chandelier

CH-STCH-039

### OVERVIEW

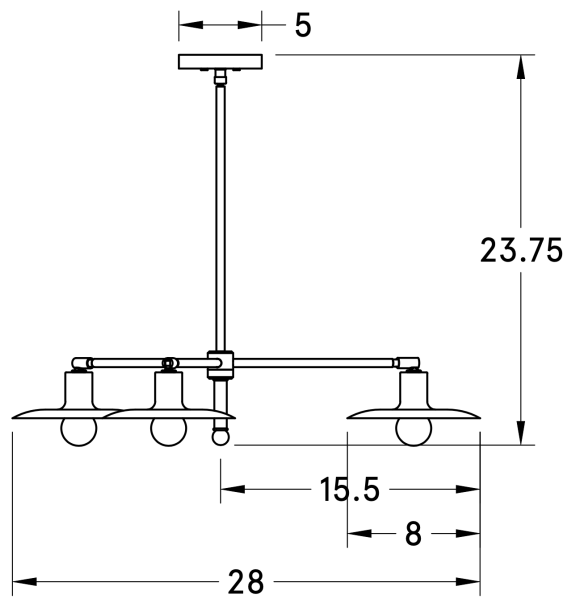
<b>Certifications</b>	UL and cUL damp locations
<b>Lamping</b>	(3) E26, 60W, Bulbs not included
<b>Mounting</b>	4", Universal
<b>Lead Time</b>	2-3 weeks
<b>Dimensions</b>	28" depth, 28" width, 23.75" height
<b>As Shown</b>	White Oak, Coated Bronze, Satin White Shades

WORLEYSLIGHTING.COM  
TRADE@WORLEYSLIGHTING.COM



## DIMENSIONS

<b>Overall</b>	28" depth, 28" width, 23.75" height
<b>Canopy</b>	5" diameter .75" depth
<b>Shade</b>	8" diameter
<b>Down Rod</b>	16"
<b>Materials</b>	wood, brass or powder coated steel and aluminum
<b>Origin</b>	Made in USA of U.S. and imported parts



## FINISHES

Our fixtures come in a variety of wood, metal, porcelain, linen and glass finishes. To discover what finishes are available for this fixture, click the link below or visit the product page on [worleyslighting.com](http://worleyslighting.com).

### SULLIVAN TRIPLE CHANDELIER FINISH OPTIONS

Finish samples are available at [worleyslighting.com/finishes](http://worleyslighting.com/finishes). For pricing and purchasing, please visit [worleyslighting.com](http://worleyslighting.com) or contact us with further questions.