

WORLEY'S

LIGHTING

Sullivan Chandelier

CH-SLCH-036

OVERVIEW

Certifications	UL and cUL damp locations
Lamping	(4) E26, 60W, Bulbs not included
Mounting	4", Universal
Lead Time	2-3 weeks
Dimensions	8" depth, 37.5" width, 20.25" height
As Shown	White Oak, Classic Brass, Satin White Shades

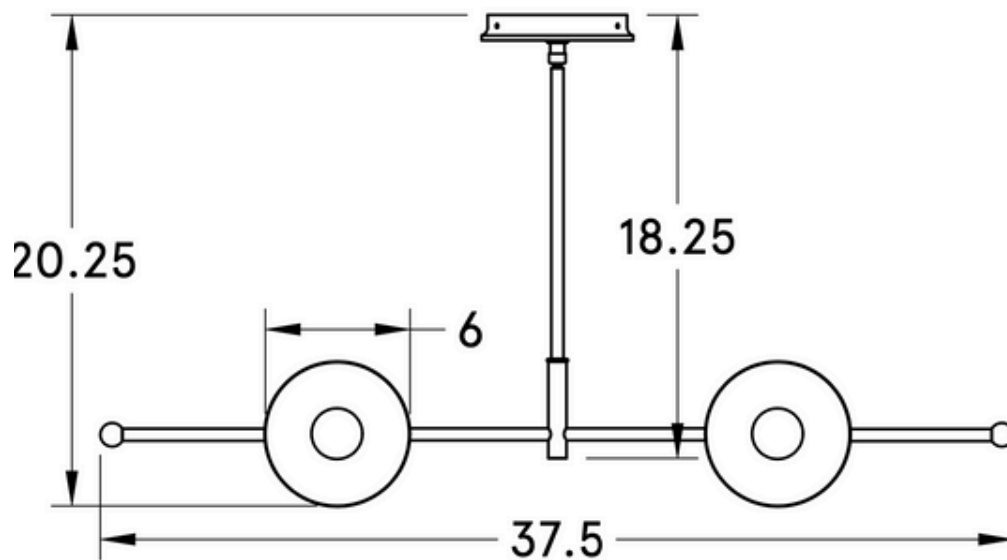


WORLEYSLIGHTING.COM
TRADE@WORLEYSLIGHTING.COM



DIMENSIONS

Overall	8" depth, 37.5" width, 20.25" height
Canopy	5" diameter .75" depth
Shade	6" diameter
Down Rod	18.25"
Materials	wood, brass or powder coated steel and aluminum
Origin	Made in USA of U.S. and imported parts



FINISHES

Our fixtures come in a variety of wood, metal, porcelain, linen and glass finishes. To discover what finishes are available for this fixture, click the link below or visit the product page on worleyslighting.com.

SULLIVAN CHANDELIER FINISH OPTIONS

Finish samples are available at worleyslighting.com/finishes. For pricing and purchasing, please visit worleyslighting.com or contact us with further questions.