

WORLEY'S

LIGHTING



Slope Chandelier with Taper Shades

CH-SPTS-025

OVERVIEW

infinitely versatile look and feel

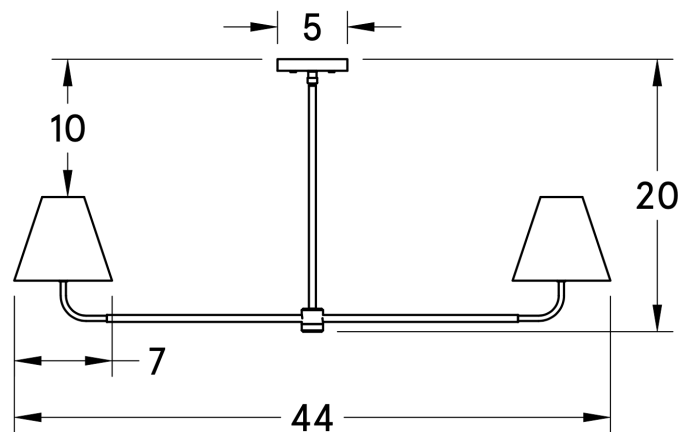
Certifications	UL and cUL damp locations
Lamping	(2) E26, 60W, Bulbs not included
Mounting	4", Universal
Lead Time	2-3 weeks
Dimensions	6" depth, 44" width, 20" height
As Shown	Walnut, Classic Brass, Natural Linen

WORLEYSLIGHTING.COM
TRADE@WORLEYSLIGHTING.COM



DIMENSIONS

Overall	6" depth, 44" width, 20" height
Canopy	5" diameter .75" depth
Shade	3-7" diameter, 6.5" height
Materials	Wood, brass or powder coated steel and aluminum, linen
Origin	Made in USA of U.S. and imported parts



FINISHES

Our fixtures come in a variety of wood, metal, porcelain, linen and glass finishes. To discover what finishes are available for this fixture, click the link below or visit the product page on worleyslighting.com.

SLOPE CHANDELIER WITH TAPER SHADES FINISH OPTIONS

Finish samples are available at worleyslighting.com/finishes. For pricing and purchasing, please visit worleyslighting.com or contact us with further questions.