

# WORLEY'S

LIGHTING

## Slope Chandelier

CH-SPTS-025

### OVERVIEW

infinitely versatile look and feel

<b>Certifications</b>	UL and cUL damp locations
<b>Lamping</b>	(2) E26, 60W, Bulbs not included
<b>Mounting</b>	4", Universal
<b>Lead Time</b>	2-3 weeks
<b>Dimensions</b>	6" depth, 44" width, 20" height
<b>As Shown</b>	Walnut, Classic Brass, Natural Linen



WORLEYSLIGHTING.COM  
TRADE@WORLEYSLIGHTING.COM

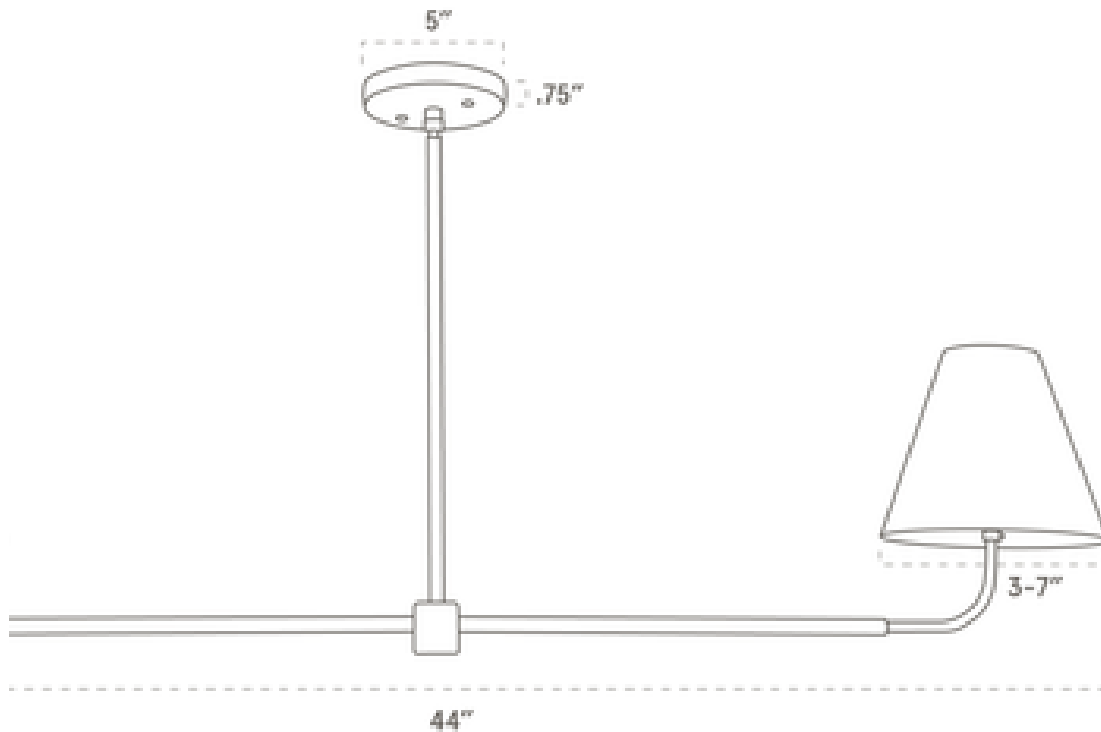


## DIMENSIONS

<b>Overall</b>	6" depth, 44" width, 20" height
<b>Canopy</b>	5" diameter .75" depth
<b>Shade</b>	3-7" diameter, 6.5" height
<b>Materials</b>	Wood, brass or powder coated steel and aluminum, linen
<b>Origin</b>	Made in USA of U.S. and imported parts

## FINISHES

Our fixtures come in a variety of wood, metal, porcelain, linen and glass finishes. To discover what finishes are available for this fixture, click the link below or visit the product page on [worleyslighting.com](http://worleyslighting.com).



### SLOPE CHANDELIER FINISH OPTIONS

Finish samples are available at [worleyslighting.com/finishes](http://worleyslighting.com/finishes). For pricing and purchasing, please visit [worleyslighting.com](http://worleyslighting.com) or contact us with further questions.