

WORLEY'S

LIGHTING

Salem Double Sconce

WS-SAL-105

OVERVIEW

Download Spec Sheet A striking and elegant wall sconce featuring oatmeal linen and lantern-inspired shades for a diffused glow. Its clean lines make it well-suited for spaces ranging from traditional to modern.

Certifications	UL and cUL damp locations
Lamping	(2) E26, 60W, Bulbs not included
Mounting	4", Universal
Lead Time	2-3 weeks
Dimensions	9" depth, 18.75" width, 11.5" height
As Shown	White Oak, Antique Brass

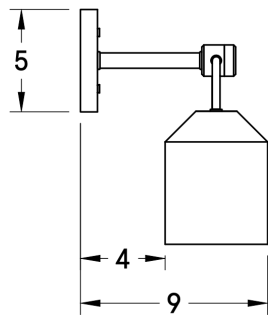
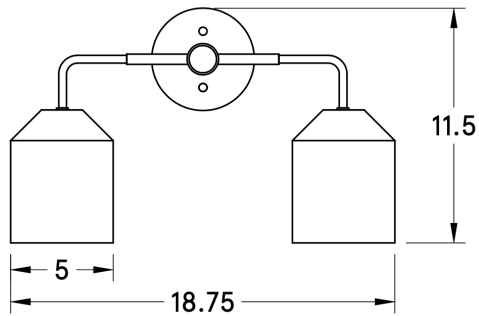


WORLEYSLIGHTING.COM
TRADE@WORLEYSLIGHTING.COM



DIMENSIONS

Overall	9" depth, 18.75" width, 11.5" height
Canopy	5" diameter .75" depth
Shade	5" diameter, 6.5" height
Clearance	4"
Materials	wood, brass or powder coated steel and aluminum, linen
Weight	2.8 LBS
Origin	



FINISHES

Our fixtures come in a variety of wood, metal, porcelain, linen and glass finishes. To discover what finishes are available for this fixture, click the link below or visit the product page on worleyslighting.com.

SALEM DOUBLE SCONCE FINISH OPTIONS

Finish samples are available at worleyslighting.com/finishes. For pricing and purchasing, please visit worleyslighting.com or contact us with further questions.