

# WORLEY'S

LIGHTING



## Redbud Flush Mount

SM-RBUD-022

### OVERVIEW

An original wooden canopy and artisan-made porcelain shade combine to create this versatile flush mount. Choose your wood, metal and porcelain finish to transform the overall look.

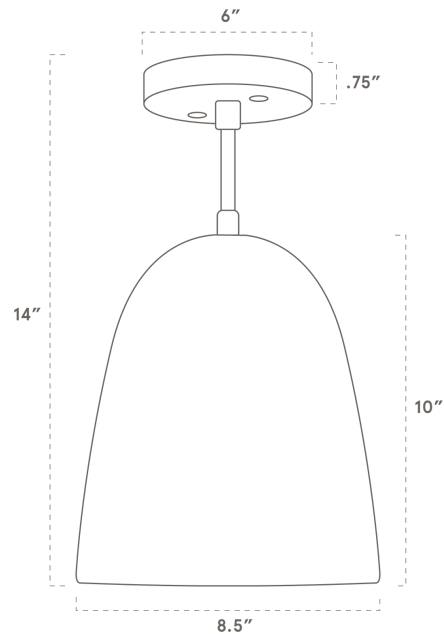
<b>Certifications</b>	UL and cUL damp locations
<b>Lamping</b>	(1) E26, 60W, Bulb not included
<b>Mounting</b>	4", Universal
<b>Lead Time</b>	2-4 weeks
<b>Dimensions</b>	8.5" depth, 8.5" width, 14" height
<b>Notes</b>	Our White Porcelain can vary in opaqueness. When the light is turned on some shades will glow with a warm pink/orange light.
<b>As Shown</b>	White Oak, Classic Brass and White Porcelain

WORLEYSLIGHTING.COM  
TRADE@WORLEYSLIGHTING.COM



## DIMENSIONS

<b>Overall</b>	8.5" depth, 8.5" width, 14" height
<b>Canopy</b>	6" diameter .75" depth
<b>Shade</b>	8.5" width, 10" height
<b>Materials</b>	Wood, brass or powder coated steel and aluminum, porcelain
<b>Origin</b>	Made in USA of U.S. and imported parts



## FINISHES

Our fixtures come in a variety of wood, metal, porcelain, linen and glass finishes. To discover what finishes are available for this fixture, click the link below or visit the product page on [worleyslighting.com](http://worleyslighting.com).

### REDBUD FLUSH MOUNT FINISH OPTIONS

Finish samples are available at [worleyslighting.com/finishes](http://worleyslighting.com/finishes). For pricing and purchasing, please visit [worleyslighting.com](http://worleyslighting.com) or contact us with further questions.