

# WORLEY'S

LIGHTING

## Pebble Sconce

WS-PEBB-062

### OVERVIEW

A well rounded wall sconce featuring an adjustable, petite, pebble-shaped metal shade. Choose from our pallet of material combinations to customize the overall look and feel. The Pebble Collection includes sconces in a range of sizes and symmetry as well as a 2 chandeliers.

<b>Certifications</b>	UL and cUL damp locations
<b>Lamping</b>	(1) E26, 60W, Bulb not included
<b>Mounting</b>	4", Universal
<b>Lead Time</b>	2-3 weeks
<b>Dimensions</b>	6" depth, 5" width, 11.5" height
<b>As Shown</b>	Cornsilk Oak, Matte Black

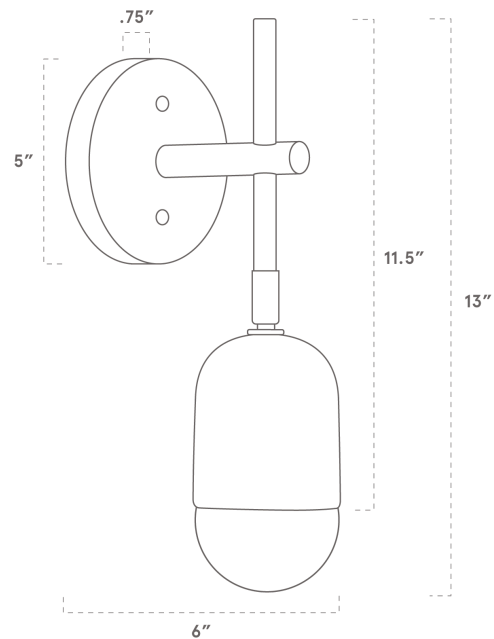


WORLEYSLIGHTING.COM  
TRADE@WORLEYSLIGHTING.COM



## DIMENSIONS

<b>Overall</b>	(without bulb) 6" depth, 5" width, 11.5" height (measured with the shade pointing directly down)
<b>Canopy</b>	5" diameter .75" depth
<b>Shade</b>	3.5" diameter
<b>Rotation</b>	Adjustable swivel at shade
<b>Materials</b>	Wood, Brass or powder coated steel and aluminum
<b>Origin</b>	Made in USA of U.S. and imported parts



## FINISHES

Our fixtures come in a variety of wood, metal, porcelain, linen and glass finishes. To discover what finishes are available for this fixture, click the link below or visit the product page on [worleyslighting.com](http://worleyslighting.com).

### PEBBLE SCONCE FINISH OPTIONS

Finish samples are available at [worleyslighting.com/finishes](http://worleyslighting.com/finishes). For pricing and purchasing, please visit [worleyslighting.com](http://worleyslighting.com) or contact us with further questions.