

WORLEY'S

LIGHTING



Pebble Double Sconce 20"

WS-PB20-061

OVERVIEW

A well rounded wall sconce featuring a duo of petite, pebble shaped metal shades. Choose from our pallet of material combinations to customize the overall look and feel. The Pebble Collection includes sconces in a range of sizes and symmetry as well as a 2 chandeliers.

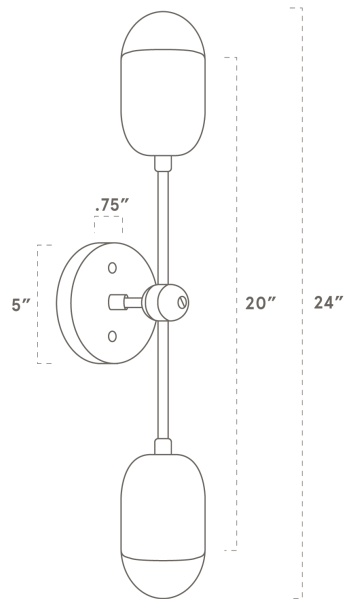
| | |
|-----------------------|----------------------------------------|
| Certifications | UL and cUL damp locations |
| Lamping | (2) E26, 60W, Bulb not included |
| Mounting | 4", Universal |
| Lead Time | 2-3 weeks |
| Dimensions | 7" x 16" x 9.5" |
| As Shown | Walnut, Matte Black, Satin White Shade |

WORLEYSLIGHTING.COM
TRADE@WORLEYSLIGHTING.COM



DIMENSIONS

| | |
|------------------|-------------------------------------------------|
| Overall | 5" depth, 5" width, 24" height |
| Canopy | 5" diameter .75" depth |
| Shade | 3.5" diameter |
| Materials | Wood, brass or powder coated steel and aluminum |
| Origin | Made in USA of U.S. and imported parts |



FINISHES

Our fixtures come in a variety of wood, metal, porcelain, linen and glass finishes. To discover what finishes are available for this fixture, click the link below or visit the product page on worleyslighting.com.

PEBBLE DOUBLE SCONCE 20" FINISH OPTIONS

Finish samples are available at worleyslighting.com/finishes. For pricing and purchasing, please visit worleyslighting.com or contact us with further questions.