

# WORLEY'S

LIGHTING

## Opal Sconce

WS-OPAL-057

### OVERVIEW

This light features a classic, opal glass shade and a striking wooden arm and canopy. The Opal's shade produces a luminous glow in any room.

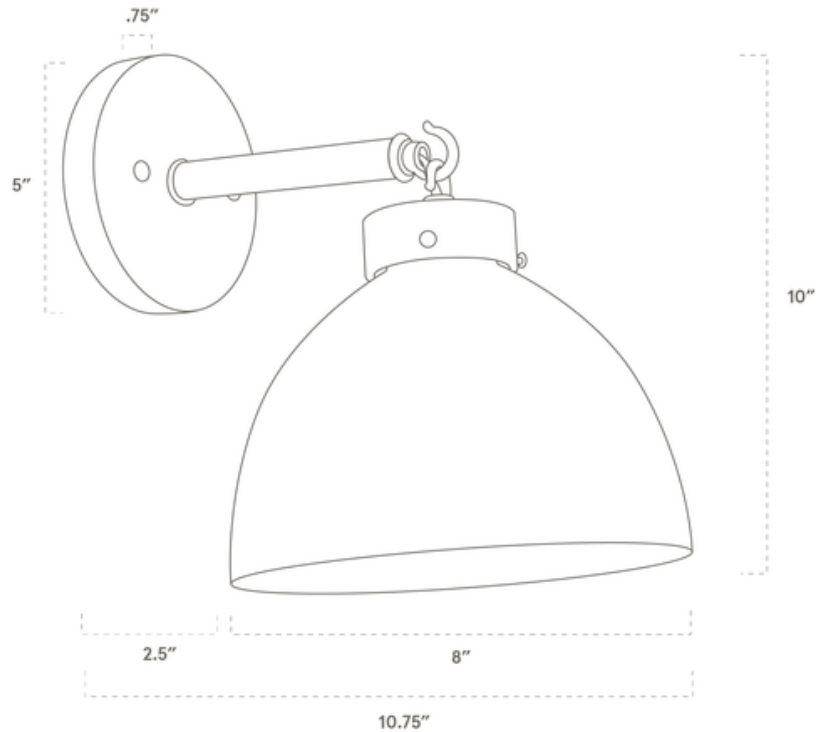
<b>Certifications</b>	UL and cUL damp locations
<b>Lamping</b>	(1) E26, 60W, Bulb not included
<b>Mounting</b>	4", Universal
<b>Lead Time</b>	2-3 weeks
<b>Dimensions</b>	10.75" depth, 8" width, 10" height
<b>As Shown</b>	Cornsilk Oak, Classic Brass

WORLEYSLIGHTING.COM  
TRADE@WORLEYSLIGHTING.COM



## DIMENSIONS

<b>Overall</b>	10.75" depth, 8" width, 10" height
<b>Canopy</b>	5" diameter .75" depth
<b>Shade</b>	8" diameter
<b>Clearance</b>	2.5"
<b>Materials</b>	Wood, brass or powder coated steel and aluminum, glass
<b>Origin</b>	Made in USA of U.S. and imported parts



## FINISHES

Our fixtures come in a variety of wood, metal, porcelain, linen and glass finishes. To discover what finishes are available for this fixture, click the link below or visit the product page on [worleyslighting.com](http://worleyslighting.com).

### OPAL SCONCE FINISH OPTIONS

Finish samples are available at [worleyslighting.com/finishes](http://worleyslighting.com/finishes). For pricing and purchasing, please visit [worleyslighting.com](http://worleyslighting.com) or contact us with further questions.