

WORLEY'S

LIGHTING

Norman Double Pendant

CH-NMDP-040

OVERVIEW

A statuesque chandelier, brimming with style, the Norman Double Sconce features 2 shades housing matte opal glass diffusers, elegant details and a one of a kind wooden canopy.

Certifications	UL and cUL damp locations
Lamping	(2) E26, 60W, Bulbs not included
Mounting	4", Universal
Lead Time	2-3 weeks
Dimensions	10" depth, 34" width, 25.75" height
As Shown	Cornsilk Oak, Coated Bronze Arms, Satin White Shades, Classic Brass Accents

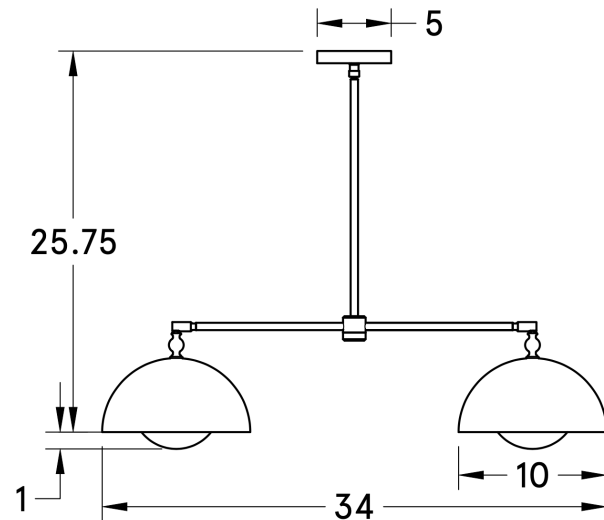


WORLEYSLIGHTING.COM
TRADE@WORLEYSLIGHTING.COM



DIMENSIONS

Overall	10" depth, 34" width, 25.75" height
Canopy	5" diameter, .75" depth
Shade	10" diameter shade, 6" globe
Materials	wood, brass or powder coated steel and aluminum, glass
Origin	Made in USA of U.S. and imported parts



FINISHES

Our fixtures come in a variety of wood, metal, porcelain, linen and glass finishes. To discover what finishes are available for this fixture, click the link below or visit the product page on worleyslighting.com.

[NORMAN DOUBLE PENDANT FINISH OPTIONS](#)

Finish samples are available at worleyslighting.com/finishes. For pricing and purchasing, please visit worleyslighting.com or contact us with further questions.