

# WORLEY'S

LIGHTING



## Newel Pendant

PL-NEWL-039

### OVERVIEW

An elegant pendant light with a striking profile, this light features a softly curving shade and other rounded details. The glass globe diffuses its brightness for a gentle glow.

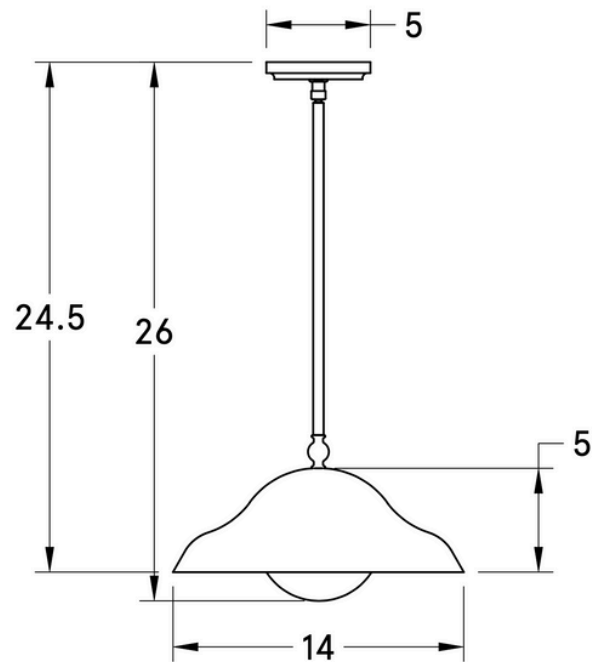
<b>Certifications</b>	UL and cUL damp locations
<b>Lamping</b>	(1) E26, 60W, Bulb not included
<b>Mounting</b>	4", Universal
<b>Lead Time</b>	2-3 weeks
<b>Dimensions</b>	14" depth, 14" width, 24.5" height
<b>As Shown</b>	Walnut, Classic Brass

WORLEYSLIGHTING.COM  
TRADE@WORLEYSLIGHTING.COM



## DIMENSIONS

<b>Overall</b>	14" depth, 14" width, 24.5" height
<b>Canopy</b>	5" diameter .75" depth
<b>Shade</b>	14" diameter x 5" height
<b>Glass Globe</b>	6"
<b>Materials</b>	wood, brass or powder coated steel and aluminum, glass
<b>Origin</b>	Made in USA of U.S. and imported parts



## FINISHES

Our fixtures come in a variety of wood, metal, porcelain, linen and glass finishes. To discover what finishes are available for this fixture, click the link below or visit the product page on [worleyslighting.com](http://worleyslighting.com).

### NEWEL PENDANT FINISH OPTIONS

Finish samples are available at [worleyslighting.com/finishes](http://worleyslighting.com/finishes). For pricing and purchasing, please visit [worleyslighting.com](http://worleyslighting.com) or contact us with further questions.