

# WORLEY'S

LIGHTING

## Myrtle Flush Mount

SM-MYRT-019

### OVERVIEW

A tailored linen shade and charming wooden canopy combine to create this elegant flush mount. Each fixture is detailed with hand-finished brass or powder-coated steel parts for added interest.

<b>Certifications</b>	UL and cUL damp locations
<b>Lamping</b>	(3) E26, 60W, Bulb not included
<b>Mounting</b>	4", Universal
<b>Lead Time</b>	2-3 weeks
<b>Dimensions</b>	14" depth, 14" width, 11.5" height
<b>As Shown</b>	Cornsilk Oak, Matte Black, Parchment Linen



WORLEYSLIGHTING.COM  
TRADE@WORLEYSLIGHTING.COM

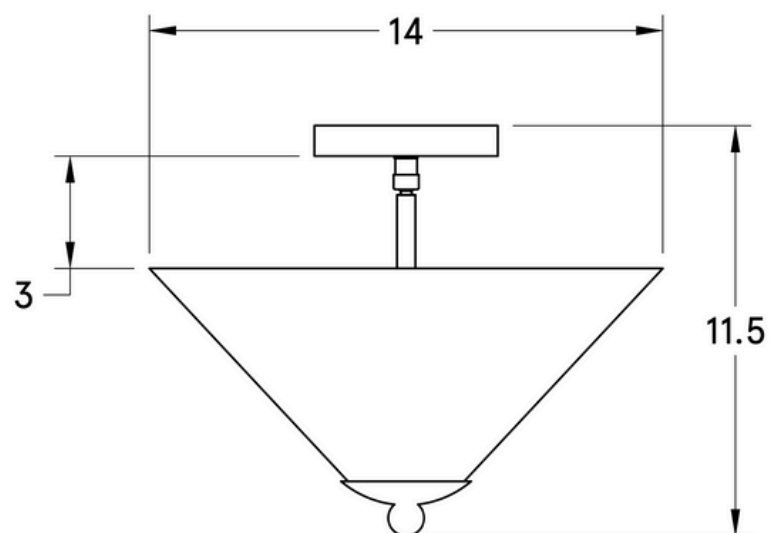


## DIMENSIONS

Overall	14" depth, 14" width, 11.5" height
Canopy	5" diameter .75" depth
Shade	14" diameter, 6" height
Materials	Wood, brass or powder coated steel and aluminum, linen
Weight	3lbs
Origin	Made in USA of U.S. and imported parts

## FINISHES

Our fixtures come in a variety of wood, metal, porcelain, linen and glass finishes. To discover what finishes are available for this fixture, click the link below or visit the product page on [worleyslighting.com](http://worleyslighting.com).



### MYRTLE FLUSH MOUNT FINISH OPTIONS

Finish samples are available at [worleyslighting.com/finishes](http://worleyslighting.com/finishes). For pricing and purchasing, please visit [worleyslighting.com](http://worleyslighting.com) or contact us with further questions.