

WORLEY'S

LIGHTING



Main Street Sconce

WS-MAIN-054

OVERVIEW

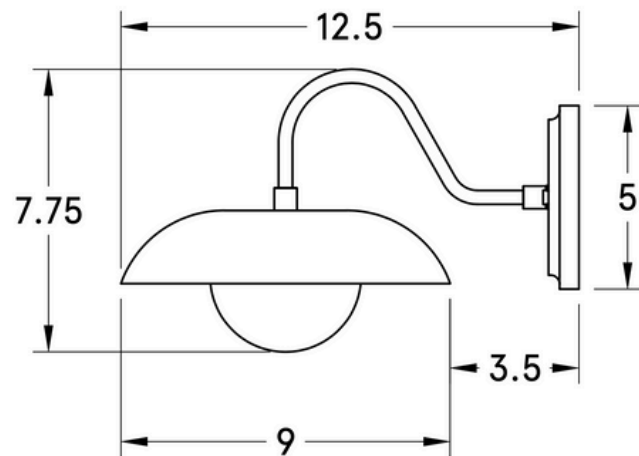
Certifications	UL and cUL damp locations
Lamping	(1) E26, 550 Lumens, <u>Bulb included</u>
Mounting	4", Universal
Lead Time	2-3 weeks
Dimensions	12.5" depth, 9" width, 7.75" height
As Shown	Cornsilk Oak, Antique Brass

WORLEYSLIGHTING.COM
TRADE@WORLEYSLIGHTING.COM



DIMENSIONS

Overall	12.5" depth, 9" width, 7.75" height
Canopy	5" diameter .75" depth
Shade	9" diameter
Globe	4" diameter
Clearance	3.5"
Materials	Wood, brass or powder coated steel and aluminum, glass
C	



FINISHES

Our fixtures come in a variety of wood, metal, porcelain, linen and glass finishes. To discover what finishes are available for this fixture, click the link below or visit the product page on worleyslighting.com.

MAIN STREET SCONCE FINISH OPTIONS

Finish samples are available at worleyslighting.com/finishes. For pricing and purchasing, please visit worleyslighting.com or contact us with further questions.