

WORLEY'S

LIGHTING

Main Street Double Pendant

PL-MDP-041

OVERVIEW

[Download Spec Sheet](#)

Certifications	UL and cUL damp locations
Lamping	(2) E26, 550 Lumens, Bulbs included
Mounting	4", Universal
Lead Time	2-3 weeks
Dimensions	9" depth, 39" width, 23" height
As Shown	Cornsilk Oak, Heritage Bronze, Classic Brass Accent

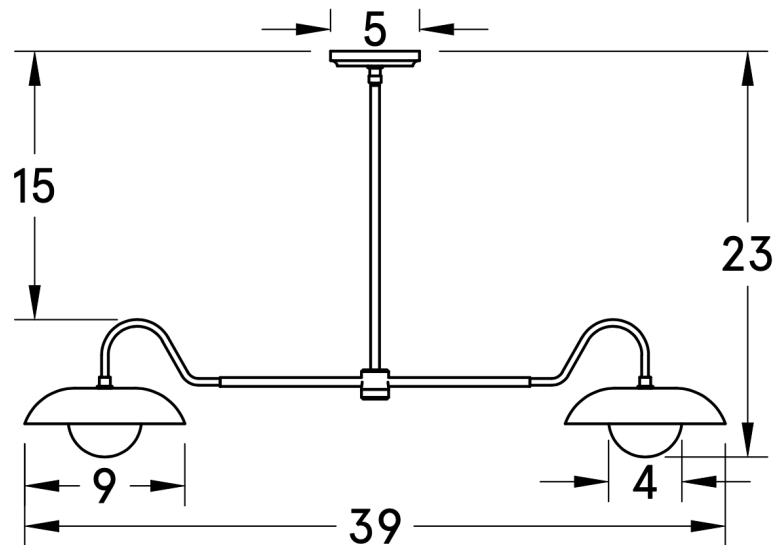


WORLEYSLIGHTING.COM
TRADE@WORLEYSLIGHTING.COM



DIMENSIONS

Overall	9" depth, 39" width, 23" height
Canopy	5" diameter .75" depth
Shade	9" diameter shade, 4" diameter glass globe
Materials	Wood, brass or powder coated steel and aluminum, glass
Weight	6 LBS
Origin	Made in USA of U.S. and imported parts



FINISHES

Our fixtures come in a variety of wood, metal, porcelain, linen and glass finishes. To discover what finishes are available for this fixture, click the link below or visit the product page on worleyslighting.com.

MAIN STREET DOUBLE PENDANT FINISH OPTIONS

Finish samples are available at worleyslighting.com/finishes. For pricing and purchasing, please visit worleyslighting.com or contact us with further questions.