

WORLEY'S

LIGHTING



Link Sconce with Dome

WS-LINK-048

OVERVIEW

A curved dome shade, bench-made wooden canopy and traditional hook details combine to create a stylish wall sconce that reads well in any space.

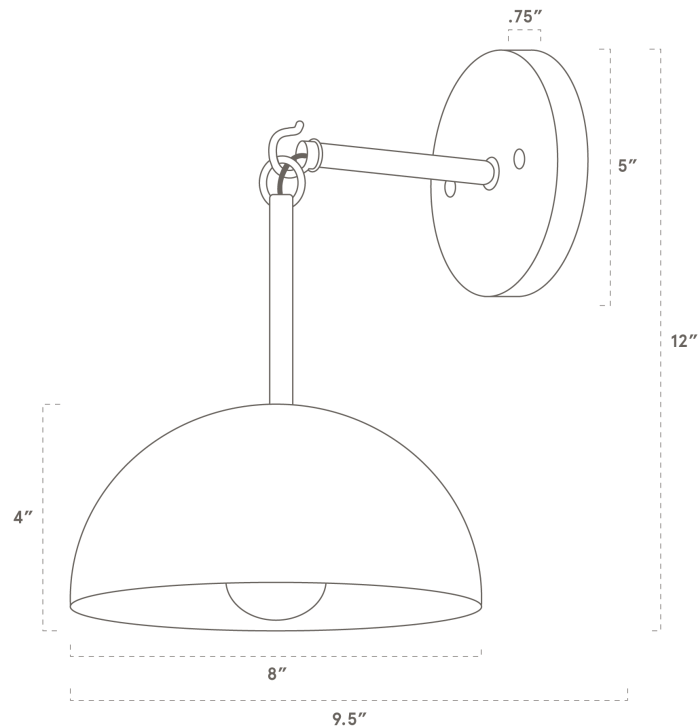
| | |
|-----------------------|--|
| Certifications | UL and cUL damp locations |
| Lamping | (1) E26, 60W, Bulb not included |
| Mounting | 4", Universal |
| Lead Time | 2-3 weeks |
| Dimensions | 9.5" depth, 8" width, 12" height |
| As Shown | Black Ash, Matte Black Arms, Satin White Shade |

WORLEYSLIGHTING.COM
TRADE@WORLEYSLIGHTING.COM



DIMENSIONS

| | |
|------------------|---|
| Overall | 9.5" depth, 8" width, 12" height |
| Canopy | 5" diameter .75" depth |
| Shade | 8" diameter |
| Materials | Wood, brass or powder coated steel and aluminum |
| Origin | Made in USA of U.S. and imported parts |



FINISHES

Our fixtures come in a variety of wood, metal, porcelain, linen and glass finishes. To discover what finishes are available for this fixture, click the link below or visit the product page on worleyslighting.com.

[LINK SCONCE WITH DOME FINISH OPTIONS](#)

Finish samples are available at worleyslighting.com/finishes. For pricing and purchasing, please visit worleyslighting.com or contact us with further questions.