

WORLEY'S

LIGHTING



Leyland Flush Mount

SM-LEFM-018

OVERVIEW

An original wooden canopy and artisan-made porcelain shade combine to create this versatile flush mount. Choose your wood, metal and porcelain finish to transform the overall look.

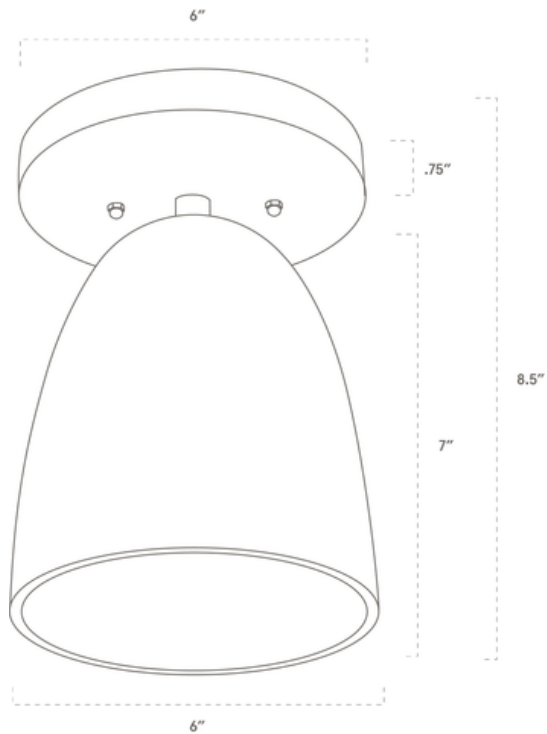
Certifications	UL and cUL damp locations
Lamping	(1) E26, 60W, Bulb not included
Mounting	4", Universal
Lead Time	2-3 weeks
Dimensions	8.5" height, 6" width
Notes	Our White Porcelain can vary in opaqueness. When the light is turned on some shades will glow with a warm pink/orange light.
As Shown	Black Ash, Matte Black and White Porcelain

WORLEYSLIGHTING.COM
TRADE@WORLEYSLIGHTING.COM



DIMENSIONS

Overall	8.5" height, 6" width
Canopy	6" diameter .75" depth
Shade	6" width, 7" height
Materials	Wood, brass or powder coated steel and porcelain
Origin	Made in USA of U.S. and imported parts



FINISHES

Our fixtures come in a variety of wood, metal, porcelain, linen and glass finishes. To discover what finishes are available for this fixture, click the link below or visit the product page on worleyslighting.com.

LEYLAND FLUSH MOUNT FINISH OPTIONS

Finish samples are available at worleyslighting.com/finishes. For pricing and purchasing, please visit worleyslighting.com or contact us with further questions.