

WORLEY'S

LIGHTING

Leyland Double Pendant

PL-LEDB-015

OVERVIEW

This double pendant features 2 porcelain shades, modern metal accents and a signature hardwood canopy. Named after a local Carolinian tree, the Leyland's bold porcelain shades and wooden canopy are fittingly made in the Carolinas.

Certifications	UL and cUL damp locations
Lamping	(2) E26, 60W, Bulbs not included
Mounting	4", Universal
Lead Time	2-3 weeks
Dimensions	8" x 6" x 10"
As Shown	Cotton White Oak, Oxidized Brass, White Porcelain

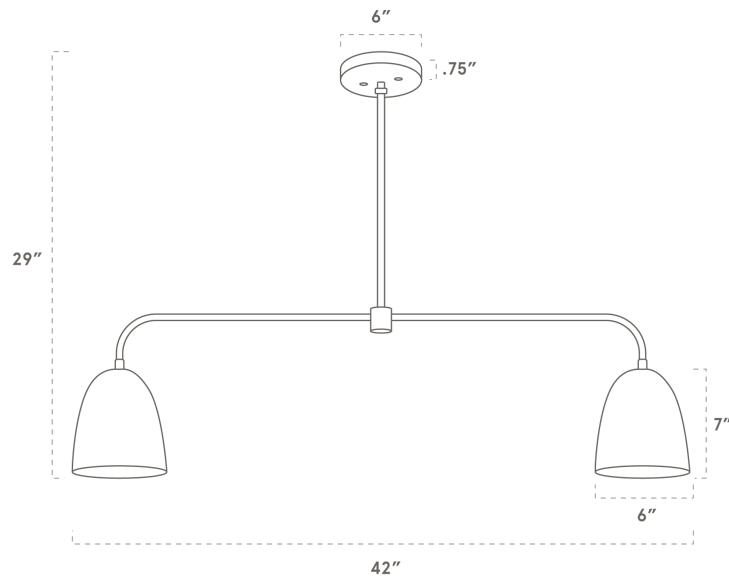


WORLEYSLIGHTING.COM
TRADE@WORLEYSLIGHTING.COM



DIMENSIONS

Overall	6" depth, 42" width, 29" height
Canopy	6" diameter .75" depth
Shade	6" diameter, 7" height
Down Rod	16"
Materials	Wood, Brass or powder coated steel and aluminum, porcelain
Origin	Made in USA of U.S. and imported parts



FINISHES

Our fixtures come in a variety of wood, metal, porcelain, linen and glass finishes. To discover what finishes are available for this fixture, click the link below or visit the product page on worleyslighting.com.

LEYLAND DOUBLE PENDANT FINISH OPTIONS

Finish samples are available at worleyslighting.com/finishes. For pricing and purchasing, please visit worleyslighting.com or contact us with further questions.