

WORLEY'S

LIGHTING



Jessamine Pendant

PL-JESS-014

OVERVIEW

This pendant light is sleek and refined featuring a spun metal shade and petite opal glass globe for soft diffused light. Paired with a signature hardwood canopy, the Jessamine Pendant combines the perfect mix of materials that will read well in any room.

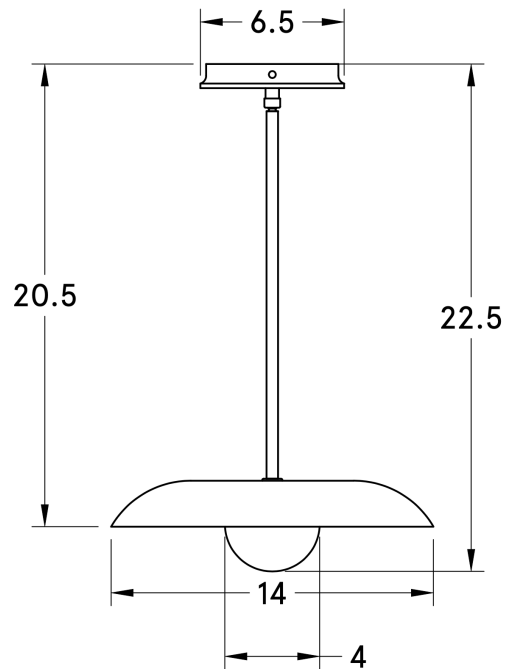
Certifications	UL and cUL damp locations
Lamping	(1) E26, 550 Lumens, Bulb included
Mounting	4", Universal
Lead Time	2-3 weeks
Dimensions	14" depth, 14" width, 20.5" height
As Shown	Cornsilk Oak, Antique Brass

WORLEYSLIGHTING.COM
TRADE@WORLEYSLIGHTING.COM



DIMENSIONS

Overall	14" depth, 14" width, 20.5" height
Canopy	6.5" diameter .75" depth
Shade	14" diameter, 4" globe
Down Rod	16"
Materials	Wood, brass or powder coated steel and aluminum, glass
Weight	
Origin	



FINISHES

Our fixtures come in a variety of wood, metal, porcelain, linen and glass finishes. To discover what finishes are available for this fixture, click the link below or visit the product page on worleyslighting.com.

JESSAMINE PENDANT FINISH OPTIONS

Finish samples are available at worleyslighting.com/finishes. For pricing and purchasing, please visit worleyslighting.com or contact us with further questions.