

WORLEY'S

LIGHTING



Heritage Flush mount w/ Scallop Shade

SM-HFSS-017

OVERVIEW

This utilitarian flush mount features a stately, opal glass shade and a signature hardwood canopy. Its classic silhouette adds simple elegance to any space.

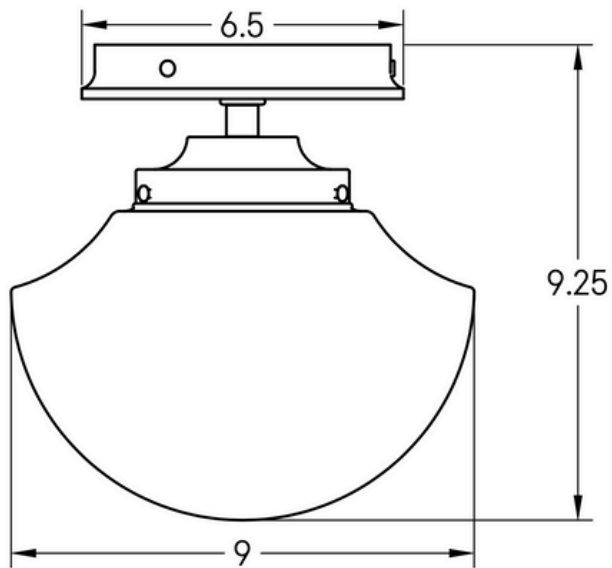
Certifications	UL and cUL damp locations
Lamping	(1) E26, 60W, Bulb not included
Mounting	4", Universal
Lead Time	2-3 weeks
Dimensions	9" depth, 9" width, 9.25" height
As Shown	Cornsilk Oak, Coated Bronze

WORLEYSLIGHTING.COM
TRADE@WORLEYSLIGHTING.COM



DIMENSIONS

Overall	9" depth, 9" width, 9.25" height
Canopy	6.5" diameter
Shade	9" diameter
Materials	Wood, brass or powder coated steel and aluminum, glass
Origin	Made in USA of U.S. and imported parts



FINISHES

Our fixtures come in a variety of wood, metal, porcelain, linen and glass finishes. To discover what finishes are available for this fixture, click the link below or visit the product page on worleyslighting.com.

[HERITAGE FLUSH MOUNT W/ SCALLOP SHADE FINISH OPTIONS](#)

Finish samples are available at worleyslighting.com/finishes. For pricing and purchasing, please visit worleyslighting.com or contact us with further questions.