

# WORLEY'S

LIGHTING



## Heritage Flush mount w/ Bell Shade

SM-HFBS-016

### OVERVIEW

This utilitarian flush mount features a stately, opal glass shade and a signature hardwood canopy. Its classic silhouette adds simple elegance to any space.

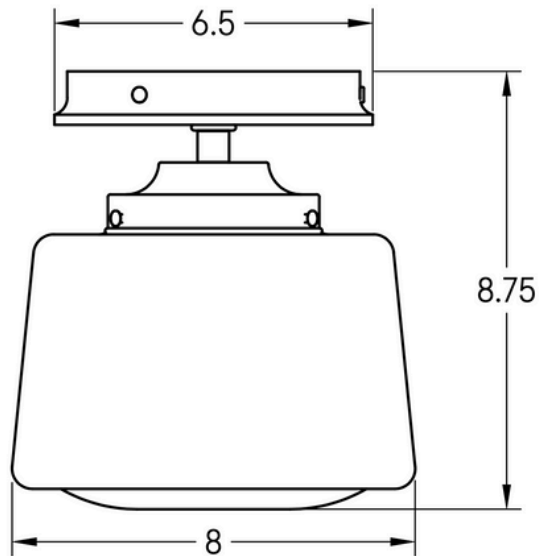
<b>Certifications</b>	UL and cUL damp locations
<b>Lamping</b>	(1) E26, 60W, Bulb not included
<b>Mounting</b>	4", Universal
<b>Lead Time</b>	2-3 weeks
<b>Dimensions</b>	8" depth, 8" width, 8.75" height
<b>As Shown</b>	Cornsilk Oak, Coated Bronze

WORLEYSLIGHTING.COM  
TRADE@WORLEYSLIGHTING.COM



## DIMENSIONS

<b>Overall</b>	8" depth, 8" width, 8.75" height
<b>Canopy</b>	6.5" diameter
<b>Shade</b>	8" diameter
<b>Materials</b>	Wood, brass or powder coated steel and aluminum, glass
<b>Origin</b>	Made in USA of U.S. and imported parts



## FINISHES

Our fixtures come in a variety of wood, metal, porcelain, linen and glass finishes. To discover what finishes are available for this fixture, click the link below or visit the product page on [worleyslighting.com](http://worleyslighting.com).

### HERITAGE FLUSH MOUNT W/ BELL SHADE FINISH OPTIONS

Finish samples are available at [worleyslighting.com/finishes](http://worleyslighting.com/finishes). For pricing and purchasing, please visit [worleyslighting.com](http://worleyslighting.com) or contact us with further questions.