

WORLEY'S

LIGHTING

Grove II

SM-GR02-014

OVERVIEW

Each Grove II light is truly original with unique wood grain patterns on every piece. This stately and versatile light can be used as a flush mount or wall lamp. All of the wooden components are made in our studio in South Carolina.

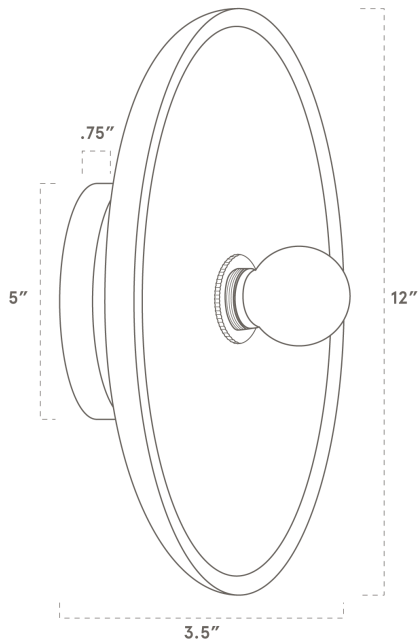
Certifications	UL and cUL damp locations
Lamping	(1) E26, 60W, Bulb not included
Mounting	4", Universal
Lead Time	2-3 weeks
Dimensions	3.5" depth, 12" width, 12" height
As Shown	White Oak, Classic Brass

WORLEYSLIGHTING.COM
TRADE@WORLEYSLIGHTING.COM



DIMENSIONS

Overall	3.5" depth, 12" width, 12" height
Canopy	5" diameter .75" depth
Shade	12" diameter
Materials	Wood, brass or powder coated steel



FINISHES

Our fixtures come in a variety of wood, metal, porcelain, linen and glass finishes. To discover what finishes are available for this fixture, click the link below or visit the product page on worleyslighting.com.

GROVE II FINISH OPTIONS

Finish samples are available at worleyslighting.com/finishes. For pricing and purchasing, please visit worleyslighting.com or contact us with further questions.