

# WORLEY'S

LIGHTING



## Ethel Triple Flush Mount

SM-ETFM-011

### OVERVIEW

Named for our founders late grandmother Ethel, this chandelier and the entire collection embodies simple elegance. American-made linen shades and traditional profiles reflect her impeccable taste and high quality standards. Crafted using our signature hardwood backplates and hand finished metal parts, any piece from the Ethel Collection of fixtures will look stunning in your space.

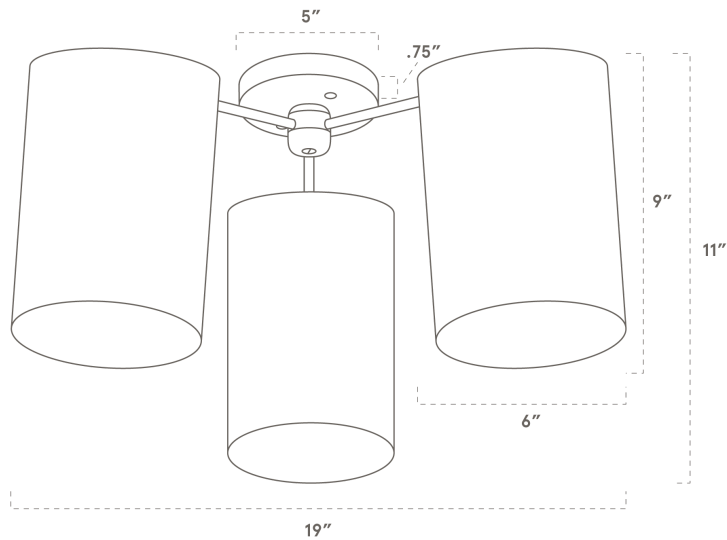
<b>Certifications</b>	UL and cUL damp locations
<b>Lamping</b>	(3) E26, 60W, Bulb not included
<b>Mounting</b>	4", Universal
<b>Lead Time</b>	2-3 weeks
<b>Dimensions</b>	19" depth, 19" width, 11" height
<b>As Shown</b>	Cornsilk Oak, Matte Black, White Linen

WORLEYSLIGHTING.COM  
TRADE@WORLEYSLIGHTING.COM



## DIMENSIONS

<b>Overall</b>	19" depth, 19" width, 11" height
<b>Canopy</b>	5" diameter .75" depth
<b>Shade</b>	6" diameter, 9" height
<b>Materials</b>	Wood, brass or powder coated steel and aluminum, linen
<b>Origin</b>	Made in USA of U.S. and imported parts



## FINISHES

Our fixtures come in a variety of wood, metal, porcelain, linen and glass finishes. To discover what finishes are available for this fixture, click the link below or visit the product page on [worleyslighting.com](http://worleyslighting.com).

### ETHEL TRIPLE FLUSH MOUNT FINISH OPTIONS

Finish samples are available at [worleyslighting.com/finishes](http://worleyslighting.com/finishes). For pricing and purchasing, please visit [worleyslighting.com](http://worleyslighting.com) or contact us with further questions.