

WORLEY'S

LIGHTING



Ethel Chandelier

CH-ETHL-010

OVERVIEW

Named for our founders late grandmother Ethel, this chandelier and the entire collection embodies simple elegance. American-made linen shades and traditional profiles reflect her impeccable taste and high quality standards. Crafted using our signature hardwood backplates and hand finished metal parts, any piece from the Ethel Collection of fixtures will look stunning in your space.

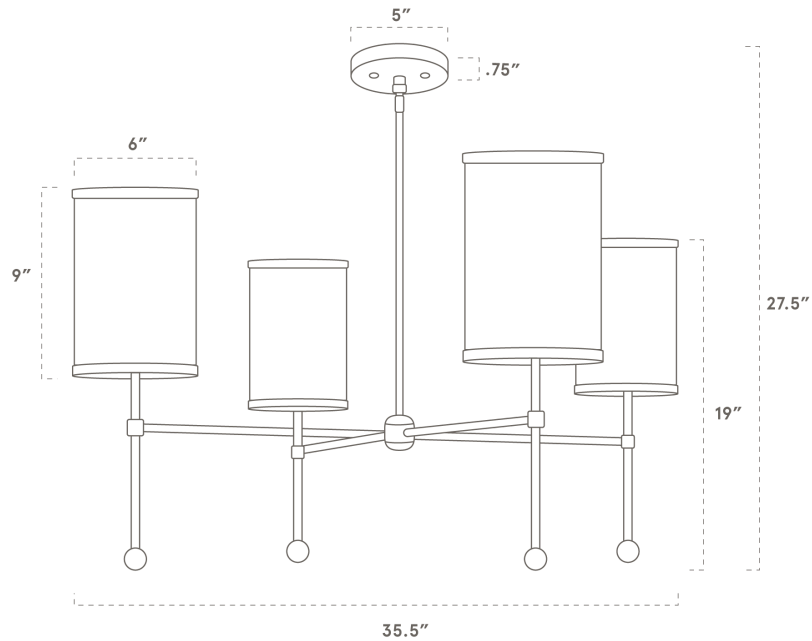
Certifications	UL and cUL damp locations
Lamping	(4) E26, 60W, Bulb not included
Mounting	4", Universal
Lead Time	2-3 weeks
Dimensions	35.5" depth, 35.5" width, 27.5" height
As Shown	Walnut, Matte Black, Sage Linen

WORLEYSLIGHTING.COM
TRADE@WORLEYSLIGHTING.COM



DIMENSIONS

Overall	35.5" depth, 35.5" width, 27.5" height
Canopy	5" diameter .75" depth
Shade	6" diameter, 9" height
Down Rod	16"
Materials	Wood, Brass or powder coated steel and aluminum, Linen
Origin	Made in USA of U.S. and imported parts



FINISHES

Our fixtures come in a variety of wood, metal, porcelain, linen and glass finishes. To discover what finishes are available for this fixture, click the link below or visit the product page on worleyslighting.com.

ETHEL CHANDELIER FINISH OPTIONS

Finish samples are available at worleyslighting.com/finishes. For pricing and purchasing, please visit worleyslighting.com or contact us with further questions.