

# WORLEY'S

LIGHTING



## Cavern Double Sconce

WS-CDBS-027

### OVERVIEW

This stylish double wall sconce features a pair of modern cone shades with functional swivels and a classic silhouette.

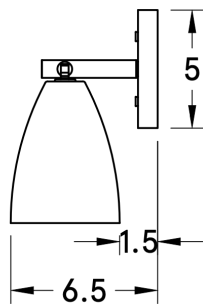
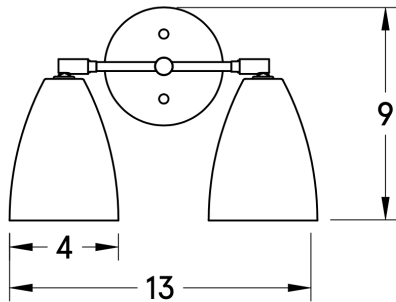
<b>Certifications</b>	UL and cUL damp locations
<b>Lamping</b>	(2) E26, 60W, Bulbs not included
<b>Mounting</b>	4", Universal
<b>Lead Time</b>	2-3 weeks
<b>Dimensions</b>	6.5" depth, 13" width, 9" height
<b>As Shown</b>	Walnut, Classic Brass, Matte Black Shades

WORLEYSLIGHTING.COM  
TRADE@WORLEYSLIGHTING.COM



## DIMENSIONS

Overall	6.5" depth, 13" width, 9" height
Canopy	5" diameter .75" depth
Clearance	1.5"
Shade	4" diameter, 6" height
Rotation	Adjustable swivel at shades
Materials	Wood, brass or powder coated steel and aluminum
Weight	
Origin	



## FINISHES

Our fixtures come in a variety of wood, metal, porcelain, linen and glass finishes. To discover what finishes are available for this fixture, click the link below or visit the product page on [worleyslighting.com](http://worleyslighting.com).

### [CAVERN DOUBLE SCONCE FINISH OPTIONS](#)

Finish samples are available at [worleyslighting.com/finishes](http://worleyslighting.com/finishes). For pricing and purchasing, please visit [worleyslighting.com](http://worleyslighting.com) or contact us with further questions.