

WORLEY'S

LIGHTING

Dogwood Sconce

WS-DWSC-025

OVERVIEW

This wall sconce features a porcelain shade, metal accents and our signature hardwood base. Named after a local Carolinian tree, the Dogwood's bold porcelain shade and wooden components are fittingly made in the Carolinas.

Certifications	UL and cUL damp locations
Lamping	(1) E26, 60W, Bulb not included
Mounting	4", Universal
Lead Time	2-3 weeks
Dimensions	11" depth, 7" width, 11" height
Notes	Slight variations in opaqueness make each handmade shade unique.
As Shown	Charcoal Oak, Oxidized Brass and White Porcelain

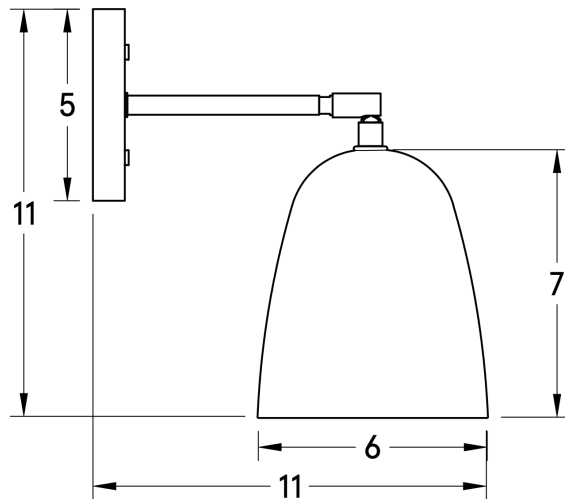


WORLEYSLIGHTING.COM
TRADE@WORLEYSLIGHTING.COM



DIMENSIONS

Overall	11" depth, 7" width, 11" height
Canopy	5" diameter .75" depth
Shade	6" width, 7" height
Rotation	Adjustable swivel at shades
Materials	Wood, Brass or powder coated steel and aluminum, porcelain
Origin	Made in USA of U.S. and imported parts



FINISHES

Our fixtures come in a variety of wood, metal, porcelain, linen and glass finishes. To discover what finishes are available for this fixture, click the link below or visit the product page on worleyslighting.com.

DOGWOOD SCONCE FINISH OPTIONS

Finish samples are available at worleyslighting.com/finishes. For pricing and purchasing, please visit worleyslighting.com or contact us with further questions.