

# WORLEY'S

LIGHTING



## Dogwood Double Sconce

WS-DWDS-024

### OVERVIEW

This wall sconce features 2 porcelain shades, metal accents and our signature hardwood base. Named after a local Carolinian tree, the Dogwood's bold porcelain shade and wooden components are fittingly made in the Carolinas.

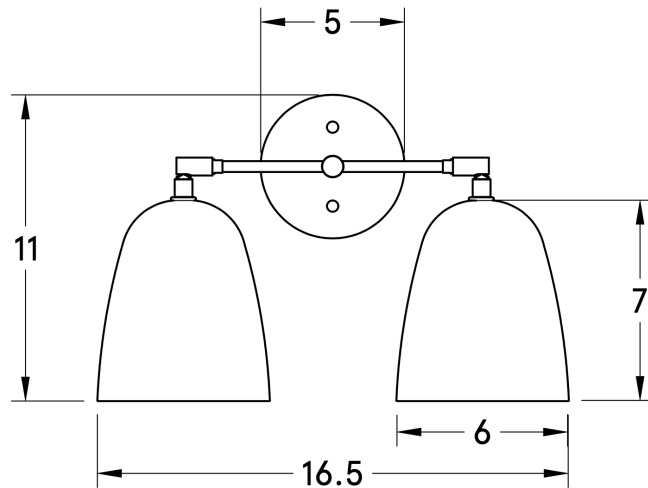
<b>Certifications</b>	UL and cUL damp locations
<b>Lamping</b>	(2) E26, 60W, Bulbs not included
<b>Mounting</b>	4", Universal
<b>Lead Time</b>	2-3 weeks
<b>Dimensions</b>	7.5" depth, 16.5" width, 11" height
<b>Notes</b>	Slight variations in opaqueness make each handmade shade unique.
<b>As Shown</b>	Black Ash, Matte Black Arms, Brass Accents and White Porcelain

WORLEYSLIGHTING.COM  
TRADE@WORLEYSLIGHTING.COM



## DIMENSIONS

Overall	7.5" depth, 16.5" width, 11" height
Canopy	5" diameter .75" depth
Shade	6" width, 7" height
Rotation	Adjustable swivel at shades
Clearance	1.75"
Materials	Wood, brass or powder coated steel and aluminum, porcelain
Origin	



## FINISHES

Our fixtures come in a variety of wood, metal, porcelain, linen and glass finishes. To discover what finishes are available for this fixture, click the link below or visit the product page on [worleyslighting.com](http://worleyslighting.com).

### DOGWOOD DOUBLE SCONCE FINISH OPTIONS

Finish samples are available at [worleyslighting.com/finishes](http://worleyslighting.com/finishes). For pricing and purchasing, please visit [worleyslighting.com](http://worleyslighting.com) or contact us with further questions.