

WORLEY'S

LIGHTING



Dilworth Flush Mount w/ Scallop Shade

SM-DFSS-010

OVERVIEW

Every light in the Dilworth collection is built from a charming mix of materials like handcrafted wooden components, your choice of metal finish and opal glass. All of the Dilworth fixtures add vintage appeal to any space.

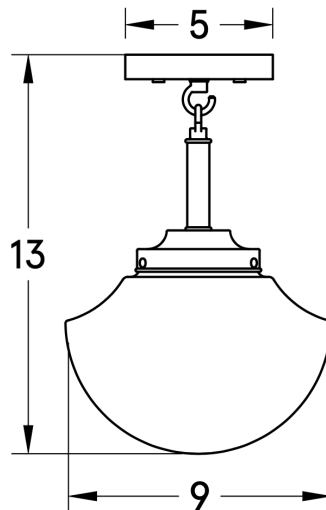
Certifications	UL and cUL damp locations
Lamping	(1) E26, 60W, Bulb not included
Mounting	4", Universal
Lead Time	2-3 weeks
Dimensions	9" depth, 9" width, 13" height
As Shown	Walnut, Classic Brass

WORLEYSLIGHTING.COM
TRADE@WORLEYSLIGHTING.COM



DIMENSIONS

Overall	9" depth, 9" width, 13" height
Canopy	5" diameter .75" depth
Shade	9" diameter
Materials	Wood, brass or powder coated steel and aluminum, glass
Origin	Made in USA of U.S. and imported parts



FINISHES

Our fixtures come in a variety of wood, metal, porcelain, linen and glass finishes. To discover what finishes are available for this fixture, click the link below or visit the product page on worleyslighting.com.

DILWORTH FLUSH MOUNT W/ SCALLOP SHADE FINISH OPTIONS

Finish samples are available at worleyslighting.com/finishes. For pricing and purchasing, please visit worleyslighting.com or contact us with further questions.