

WORLEY'S

LIGHTING



Cavern Sconce

WS-CAVE-021

OVERVIEW

This versatile wall sconce makes the perfect task light for a wide range of applications. Choose from our pallet of material combinations to customize this lamp for your next project.

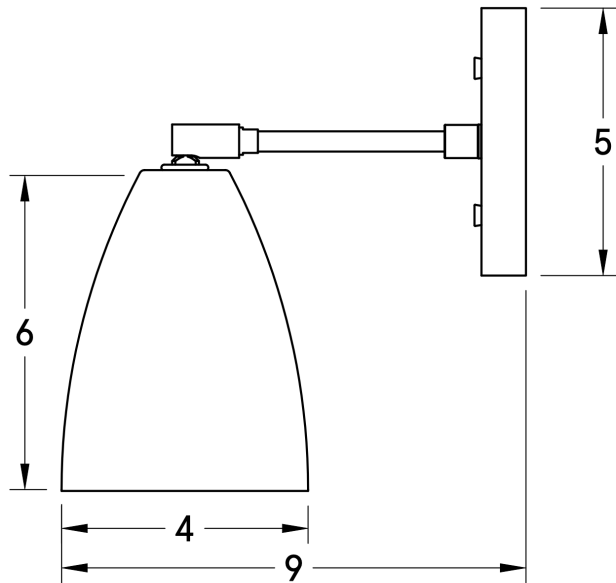
Certifications	UL and cUL damp locations
Lamping	(1) E26, 60W, Bulb not included
Mounting	4", Universal
Lead Time	2-3 weeks
Dimensions	9" depth, 5" width, 9" height
As Shown	Cornsilk Oak, Flat Brass

WORLEYSLIGHTING.COM
TRADE@WORLEYSLIGHTING.COM



DIMENSIONS

Overall	9" depth, 5" width, 9" height
Canopy	5" diameter .75" depth
Shade	6" diameter, 4" height
Materials	Wood, brass or powder coated steel
Weight	1.4 LBS



FINISHES

Our fixtures come in a variety of wood, metal, porcelain, linen and glass finishes. To discover what finishes are available for this fixture, click the link below or visit the product page on worleyslighting.com.

CAVERN SCONCE FINISH OPTIONS

Finish samples are available at worleyslighting.com/finishes. For pricing and purchasing, please visit worleyslighting.com or contact us with further questions.