

WORLEY'S

LIGHTING

Branch Sconce with Exposed Bulbs

WS-BREB-015

OVERVIEW

This simple yet versatile wall sconces emits a bright glow from 2 exposed light bulbs. Its' asymmetrical arms make a bold statement and add modern style to any space.

| | |
|-----------------------|--|
| Certifications | UL and cUL damp locations |
| Lamping | (2) E26, 60W, Bulbs not included |
| Mounting | 4", Universal |
| Lead Time | 2-3 weeks |
| Dimensions | 6" depth, 13" width, 7.5" height |
| Notes | The standard fixture comes with arm lengths as pictured. If you want mirroring arms for a pair of sconces, please let us know before you purchase! |

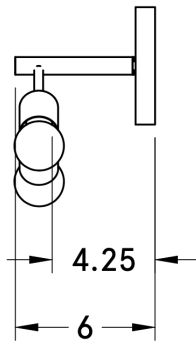
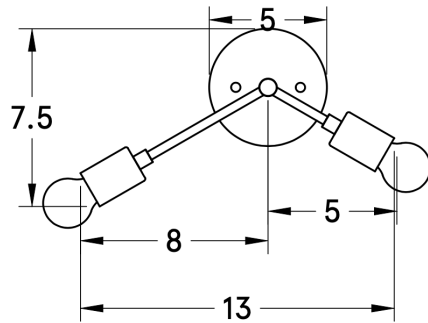


WORLEYSLIGHTING.COM
TRADE@WORLEYSLIGHTING.COM



DIMENSIONS

| | |
|-----------|---|
| Overall | 6" depth, 13" width, 7.5" height |
| Canopy | 5" diameter .75" depth |
| Clearance | 4.25" |
| Materials | Wood, Brass or powder coated steel and aluminum |
| Weight | 1.2 LBS |



As Shown

Black Ash, Oxidized Brass

FINISHES

Our fixtures come in a variety of wood, metal, porcelain, linen and glass finishes. To discover what finishes are available for this fixture, click the link below or visit the product page on worleyslighting.com.

BRANCH SCONCE WITH EXPOSED BULBS FINISH OPTIONS

Finish samples are available at worleyslighting.com/finishes. For pricing and purchasing, please visit worleyslighting.com or contact us with further questions.