

# WORLEY'S

LIGHTING

## Charlotte Double Pendant

PL-CHDP-006

### OVERVIEW

Featuring a duo of crisp linen shades, the Charlotte Double Pendant is the perfect option for a space that needs bright and diffused light. It's linear configuration makes it perfect for many applications like dining rooms and kitchens.

<b>Certifications</b>	UL and cUL damp locations
<b>Lamping</b>	(2) E26, 60W, Bulbs not included
<b>Mounting</b>	4", Universal
<b>Lead Time</b>	2-3 weeks
<b>Dimensions</b>	12" depth, 48" width, 29.25" height
<b>As Shown</b>	Walnut, Classic Brass, White Linen

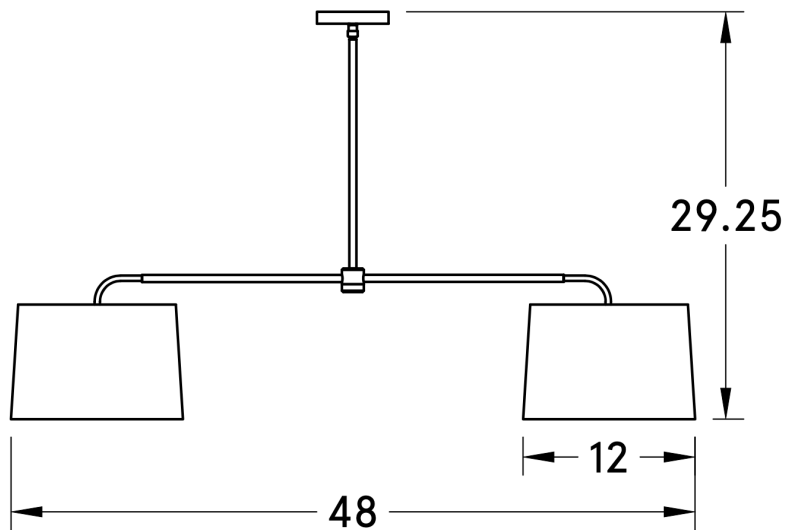


WORLEYSLIGHTING.COM  
TRADE@WORLEYSLIGHTING.COM



## DIMENSIONS

Overall	12" depth, 48" width, 29.25" height
Canopy	5" diameter .75" depth
Shade	12" diameter, 8" height
Down Rod	16"
Materials	Wood, Brass or powder coated steel and aluminum, Linen
Weight	



## FINISHES

Our fixtures come in a variety of wood, metal, porcelain, linen and glass finishes. To discover what finishes are available for this fixture, click the link below or visit the product page on [worleyslighting.com](http://worleyslighting.com).

### CHARLOTTE DOUBLE PENDANT FINISH OPTIONS

Finish samples are available at [worleyslighting.com/finishes](http://worleyslighting.com/finishes). For pricing and purchasing, please visit [worleyslighting.com](http://worleyslighting.com) or contact us with further questions.