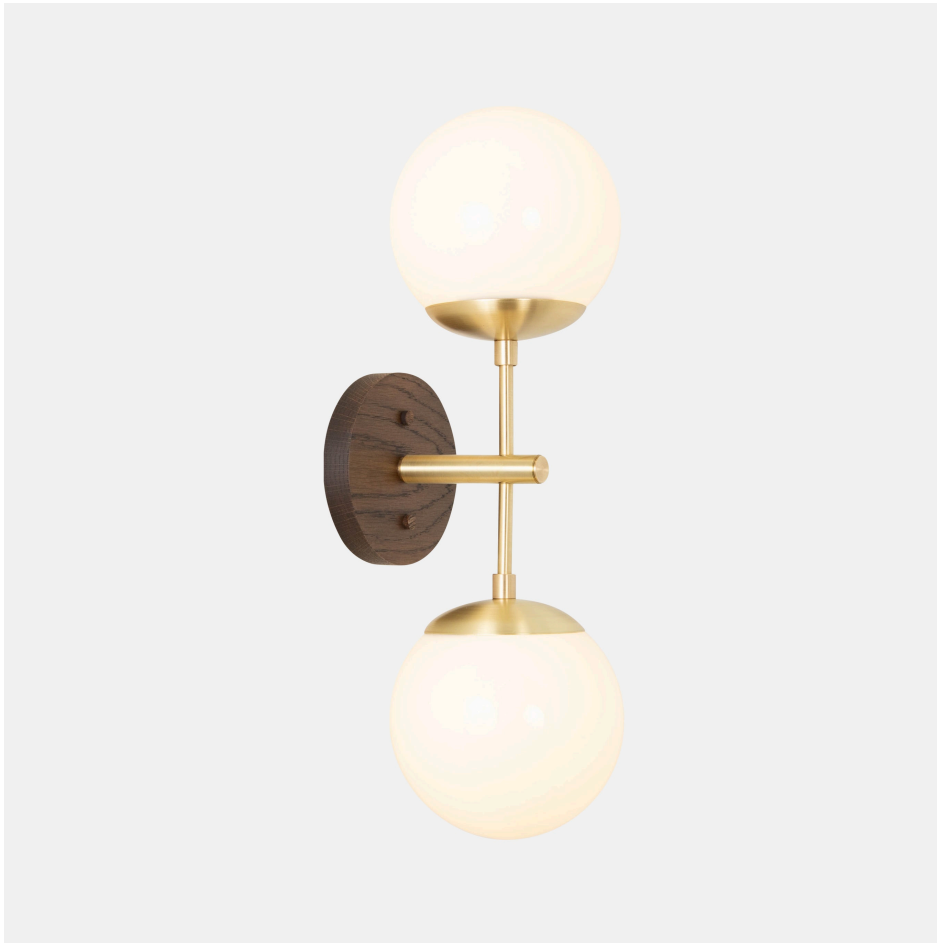


WORLEY'S

LIGHTING



Charleston Double Sconce

WS-CHDS-022

OVERVIEW

The Charleston Sconce is charming with its dual glass globes and classic silhouette. With its perfect mix of materials, this wall lamp will add interest and ambience to any space.

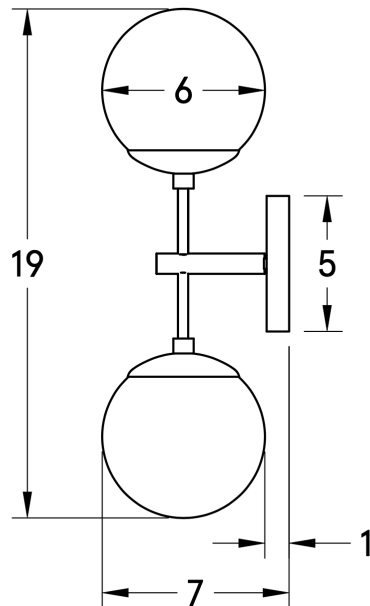
Certifications	UL and cUL damp locations
Lamping	(2) E26, 60W, Bulbs not included
Mounting	4", Universal
Lead Time	2-3 weeks
Dimensions	7" depth, 6" width, 19" height
As Shown	Charcoal Oak, Classic Brass, Frosted Glass

WORLEYSLIGHTING.COM
TRADE@WORLEYSLIGHTING.COM



DIMENSIONS

Overall	7" depth, 6" width, 19" height
Canopy	5" diameter .75" depth
Shade	6" diameter
Clearance	1"
Materials	Wood, brass or powder coated steel and aluminum, glass
Weight	



FINISHES

Our fixtures come in a variety of wood, metal, porcelain, linen and glass finishes. To discover what finishes are available for this fixture, click the link below or visit the product page on worleyslighting.com.

CHARLESTON DOUBLE SCONCE FINISH OPTIONS

Finish samples are available at worleyslighting.com/finishes. For pricing and purchasing, please visit worleyslighting.com or contact us with further questions.