

# WORLEY'S

LIGHTING



## Billy Sconce

WS-BILL-013

### OVERVIEW

Featuring a charming mix of materials, this wall sconce will read well in any room. The handmade porcelain shade and unique wooden canopy make each sconce a true original.

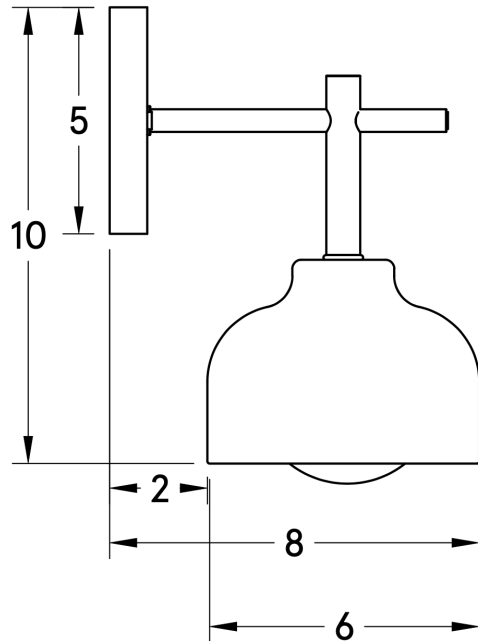
<b>Certifications</b>	UL and cUL damp locations
<b>Lamping</b>	(1) E26, 550 Lumens, <a href="#">Bulb included</a>
<b>Mounting</b>	4", Universal
<b>Lead Time</b>	2-3 weeks
<b>Dimensions</b>	8" x 6" x 10"
<b>Notes</b>	Slight variations in opaqueness make each handmade shade unique.
<b>As Shown</b>	Charcoal Oak, Matte Black and White Porcelain

WORLEYSLIGHTING.COM  
TRADE@WORLEYSLIGHTING.COM



## DIMENSIONS

Overall	8" depth, 6" width, 10" height
Canopy	5" diameter .75" depth
Shade	6" diameter, 4" height
Clearance	2"
Materials	Wood, Brass or powder coated steel and aluminum, porcelain
Origin	Made in USA of U.S. and imported parts
We	



## FINISHES

Our fixtures come in a variety of wood, metal, porcelain, linen and glass finishes. To discover what finishes are available for this fixture, click the link below or visit the product page on [worleyslighting.com](http://worleyslighting.com).

### BILLY SCONCE FINISH OPTIONS

Finish samples are available at [worleyslighting.com/finishes](http://worleyslighting.com/finishes). For pricing and purchasing, please visit [worleyslighting.com](http://worleyslighting.com) or contact us with further questions.